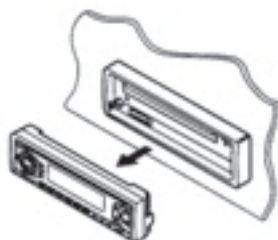


JVC

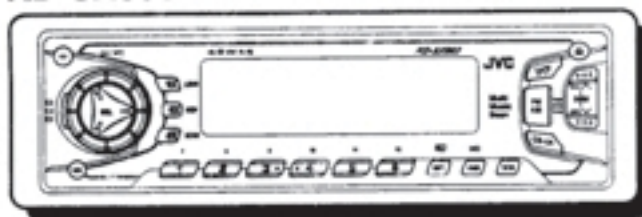
SERVICE MANUAL

CD RECEIVER

KD-SX883



KD-SX883



BBE^{II}

**COMPACT
disc
DIGITAL AUDIO**

Area Suffix

UF China

Contents

Safety precaution	1-2	Flow of functional	
Preventing static electricity	1-3	operation unit TOC read	1-11
Location of main parts	1-4	Maintenance of laser pickup	1-13
Disassembly method	1-5	Replacement of laser pickup	1-13
Adjustment method	1-10	Description of major ICs	1-14~28

Safety precaution



CAUTION Burrs formed during molding may be left over on some parts of the chassis. Therefore, pay attention to such burrs in the case of performing repair of this system.



CAUTION Please use enough caution not to see the beam directly or touch it in case of an adjustment or operation check.

Preventing static electricity

1. Grounding to prevent damage by static electricity

Electrostatic discharge (ESD), which occurs when static electricity stored in the body, fabric, etc. is discharged, can destroy the laser diode in the traverse unit (optical pickup). Take care to prevent this when performing repairs.

2. About the earth processing for the destruction prevention by static electricity

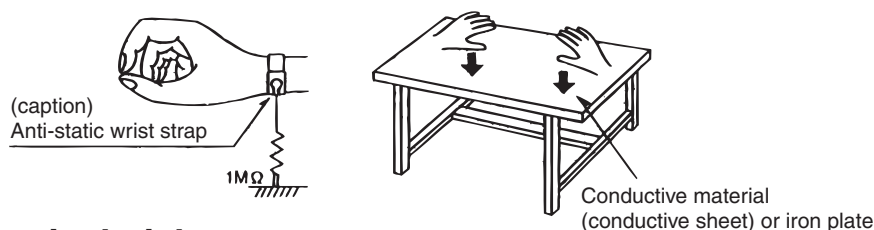
Static electricity in the work area can destroy the optical pickup (laser diode) in devices such as CD players. Be careful to use proper grounding in the area where repairs are being performed.

2-1 Ground the workbench

Ground the workbench by laying conductive material (such as a conductive sheet) or an iron plate over it before placing the traverse unit (optical pickup) on it.

2-2 Ground yourself

Use an anti-static wrist strap to release any static electricity built up in your body.



3. Handling the optical pickup

1. In order to maintain quality during transport and before installation, both sides of the laser diode on the replacement optical pickup are shorted. After replacement, return the shorted parts to their original condition. (Refer to the text.)
2. Do not use a tester to check the condition of the laser diode in the optical pickup. The tester's internal power source can easily destroy the laser diode.

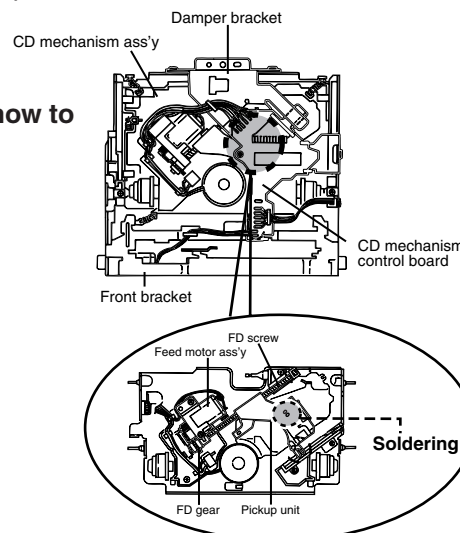
4. Handling the traverse unit (optical pickup)

1. Do not subject the traverse unit (optical pickup) to strong shocks, as it is a sensitive, complex unit.
2. Cut off the shorted part of the flexible cable using nippers, etc. after replacing the optical pickup. For specific details, refer to the replacement procedure in the text. Remove the anti-static pin when replacing the traverse unit. Be careful not to take too long a time when attaching it to the connector.
3. Handle the flexible cable carefully as it may break when subjected to strong force.
4. It is not possible to adjust the semi-fixed resistor that adjusts the laser power. Do not turn it

Attention when traverse unit is decomposed

***Please refer to "Disassembly method" in the text for pick-up and how to detach the substrate.**

1. Solder is put up before the card wire is removed from connector on the CD substrate as shown in Figure.
(When the wire is removed without putting up solder, the CD pick-up assembly might destroy.)
2. Please remove solder after connecting the card wire with when you install picking up in the substrate.

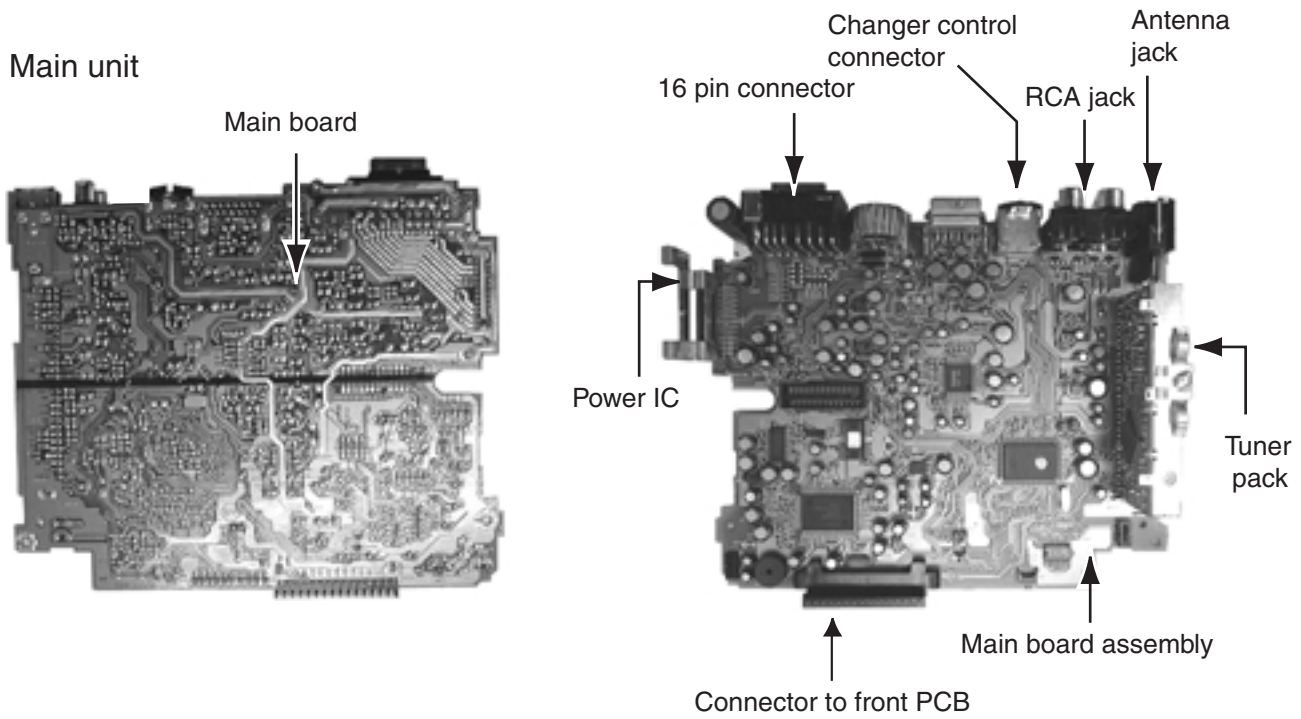


Location of main parts

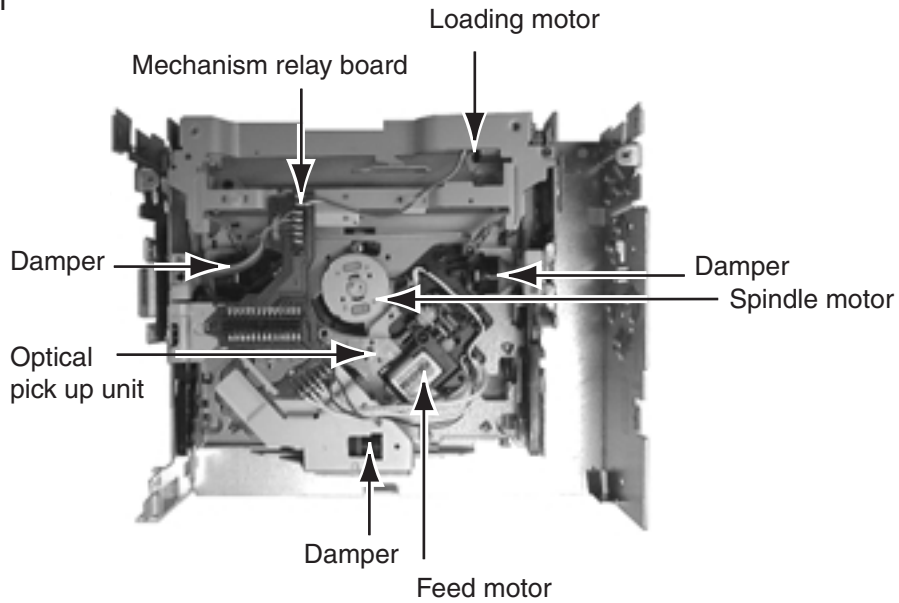
■ Control unit



■ Main unit



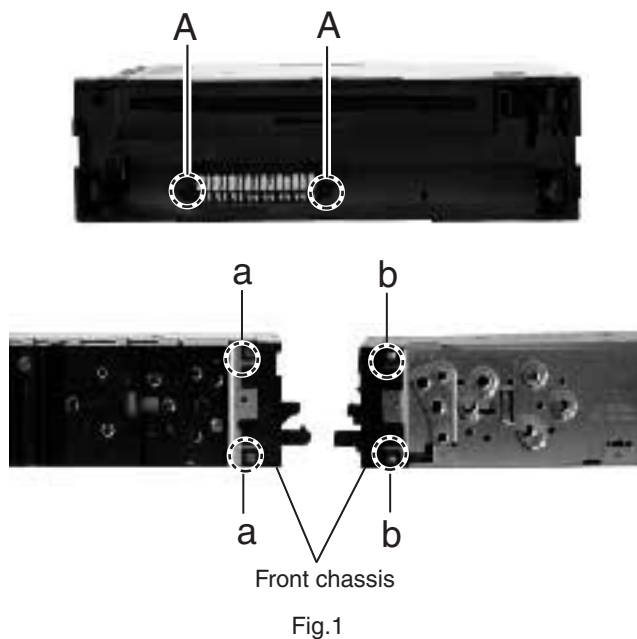
■ CD mechanism



Disassembly method

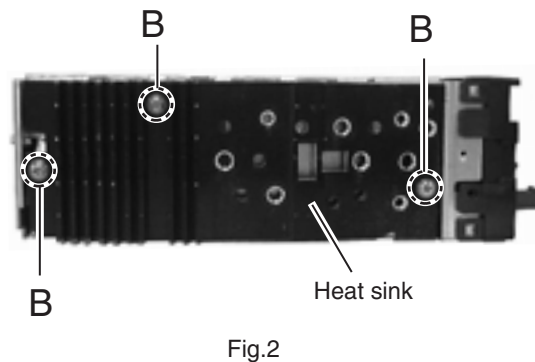
■ Removing the front chassis (See Fig.1)

1. Remove two screws A and insert a screwdriver to the joints a on the side of the front chassis and two joints b on the right side, then detach the front chassis toward the front side.



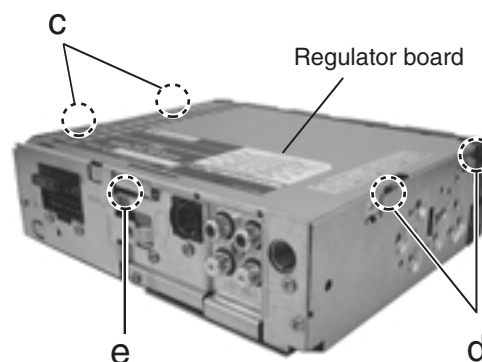
■ Removing the heat sink (See Fig.2)

1. Remove the three screws B attaching the heat sink on the left side of the body, and remove the heat sink.



■ Removing the bottom cover (See Fig.3)

1. Turn the body upside down.
2. Insert a screwdriver to the two joints c and two joints d on both sides of the body and the joint e on the back of the body, then detach the bottom cover from the body.



■ **Removing the main amplifier board assembly**

(See Fig.4 and 5)

1. Remove the front chassis.
2. Remove the bottom cover.
3. Remove the two screws C attaching the main amplifier board assembly on the bottom of the body.
4. Remove the three screws D attaching the main amplifier board assembly on the back of the body.
5. Disconnect connector CN501 on the main amplifier board assembly from the CD mechanism assembly.

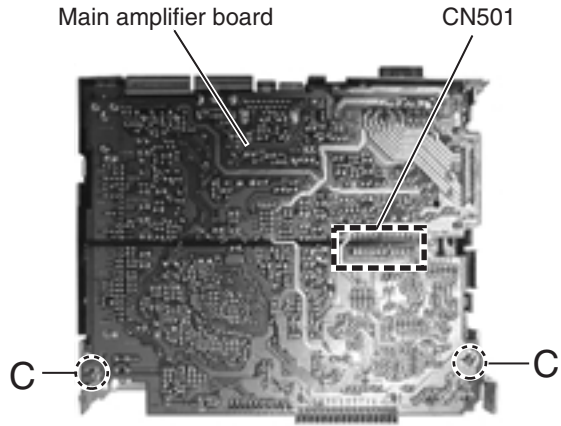


Fig.4

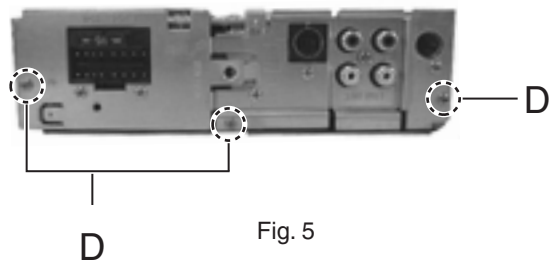


Fig. 5

■ **Removing the CD mechanism assembly**

(See Fig.6)

1. Remove the front chassis.
2. Remove the bottom cover.
3. Remove the main amplifier board assembly.
4. Remove the three screws E attaching the CD mechanism assembly from the top cover.

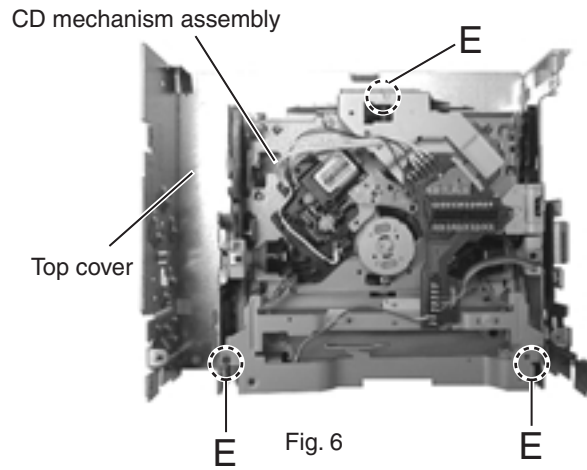


Fig. 6

■ **Removing the control switch board**

(See Fig.7 and 8)

1. Remove the front chassis.
2. Remove the four screws F attaching the rear cover on the back of the front panel unit.
3. Remove the control switch board from the front panel unit.

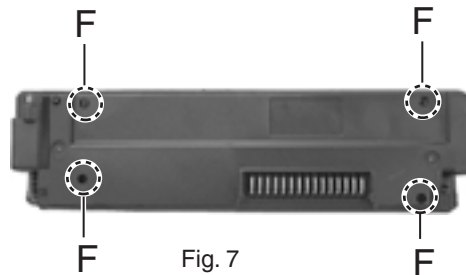


Fig. 7

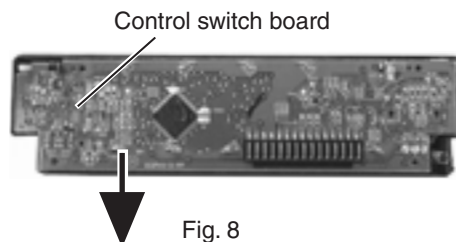


Fig. 8

<CD mechanism section>

■ Removing the CD mechanism control board (See Fig.1 and 2)

1. Unsolder the part **a** and **b** on the CD mechanism control board.
2. Remove the stator fixing the CD mechanism control board and the damper bracket (To remove the stator smoothly, pick up the center part).
3. Remove the screw **A** attaching the CD mechanism control board.
4. Remove the CD mechanism control board in the direction of the arrow while releasing it from the two damper bracket slots **d** and the front bracket slot **e**.
5. Disconnect the flexible wire from connector on the pickup unit.

ATTENTION: Turn the FD gear in the direction of the arrow to move the entire pickup unit to the appropriate position where the flexible wire of the CD mechanism unit can be disconnected easily.
(Refer to Fig.2)

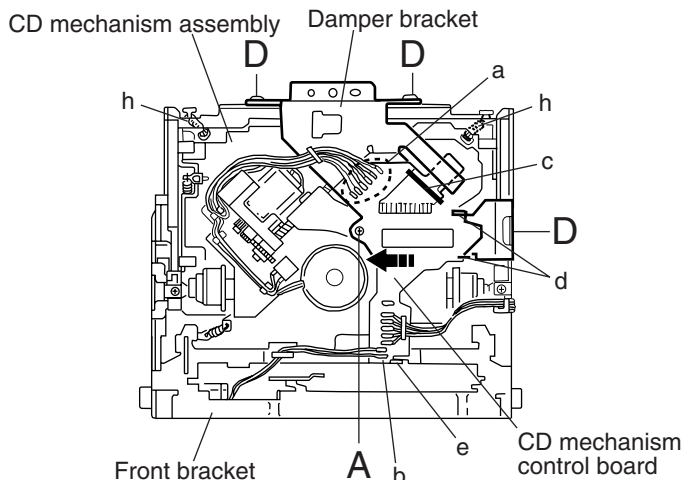


Fig.1

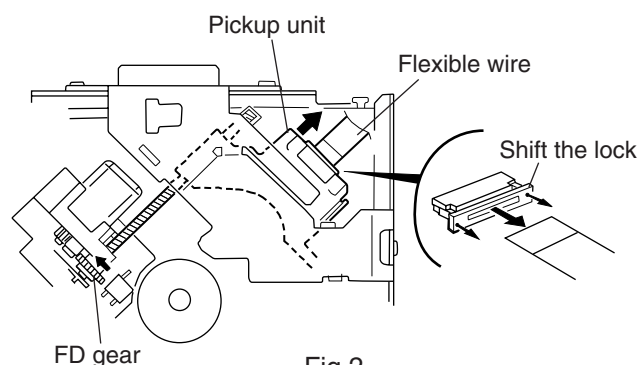


Fig.2

■ Removing the loading motor (See Fig.3 to 5)

- Prior to performing the following procedure, remove the CD mechanism control board.
1. Remove the two springs **f** attaching the CD mechanism assembly and the front bracket.
 2. Remove the two screws **B** and the front bracket while pulling the flame outward.
 3. Remove the belt and the screw **C** from the loading motor.

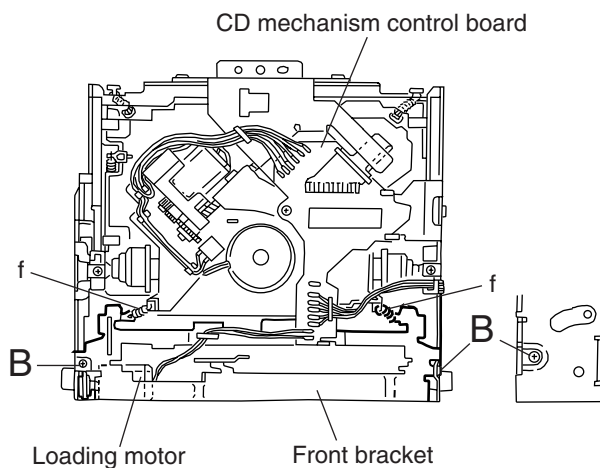


Fig.3

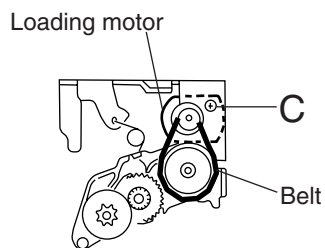


Fig.5

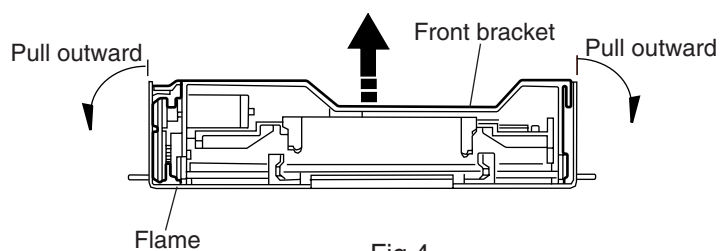


Fig.4

**■ Removing the CD mechanism assembly
(See Fig.1, 6 to 9)**

- Prior to performing the following procedure, remove the CD mechanism control board and the front bracket (loading motor).
1. Remove the three screws **D** and the damper bracket.
 2. Raise the both sides fix arms and move the fix plates in the direction of the arrow to place the four shafts **g** as shown in Fig.8 and 9.
 3. Remove the CD mechanism assembly and the two springs **h** attaching the flame.
 4. Remove the two screws **E** and both sides rear damper brackets from the dampers. Detach the CD mechanism assembly from the left side to the right side.

ATTENTION: The CD mechanism assembly can be removed if only the rear damper bracket on the left side is removed.

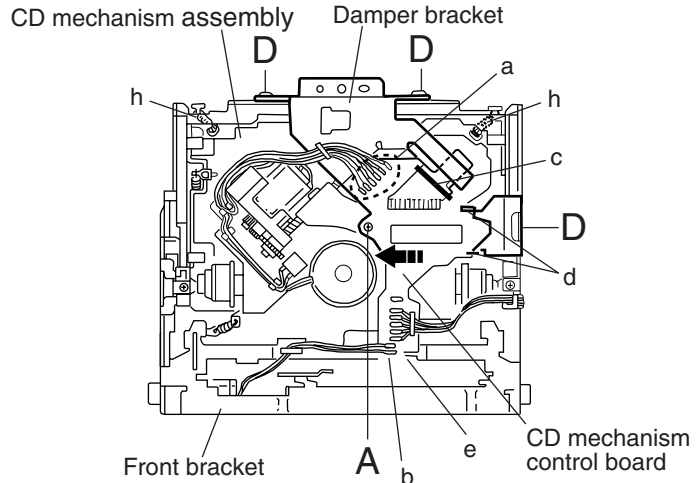


Fig.1

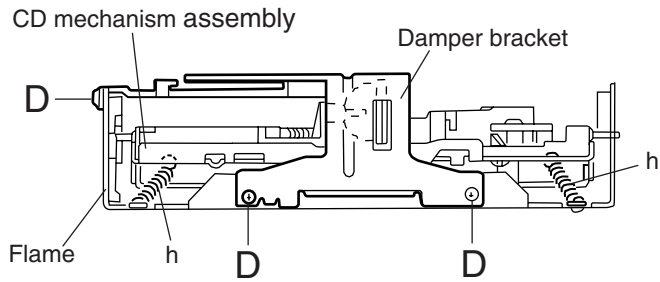


Fig.6

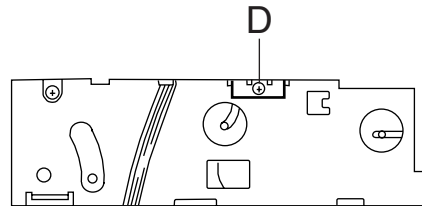


Fig.7

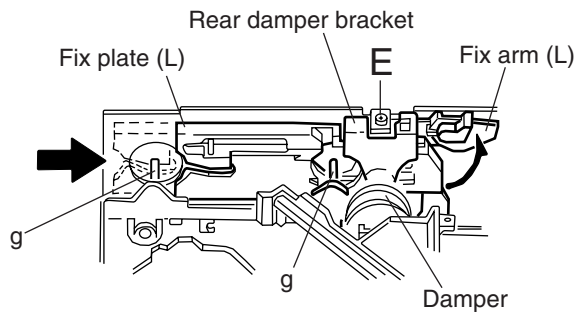


Fig.8

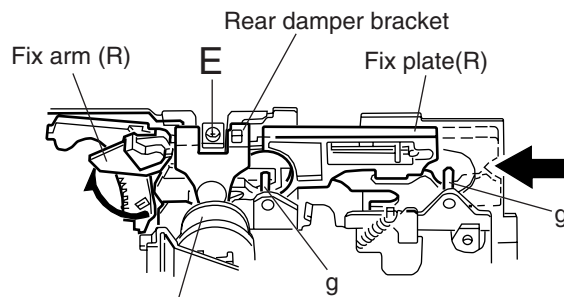


Fig.9

■ Removing the feed motor assembly (See Fig.10)

- Prior to performing the following procedure, remove the CD mechanism control board, the front bracket (loading motor) and the CD mechanism assembly.

1. Remove the two screws **F** and the feed motor assembly.

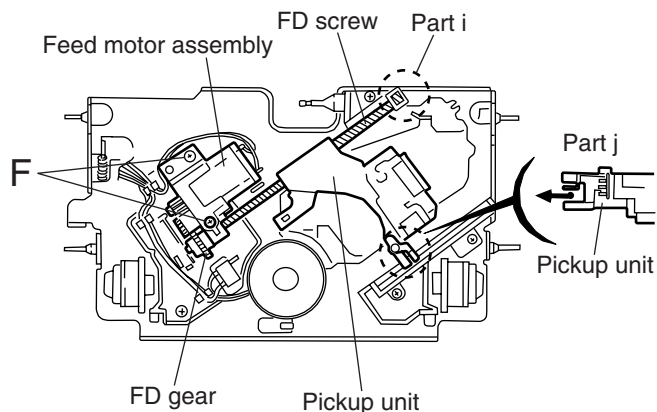


Fig.10

■ Removing the pickup unit (See Fig.10 and 11)

- Prior to performing the following procedure, remove the CD mechanism control board, the front bracket (loading motor), the CD mechanism assembly and the feed motor assembly.

1. Detach the FD gear part of the pickup unit upward. Then remove the pickup unit while pulling out the part i of the FD screw.

ATTENTION: When reattaching the pickup unit, reattach the part **j** of the pickup unit, then the part **i** of the FD screw.

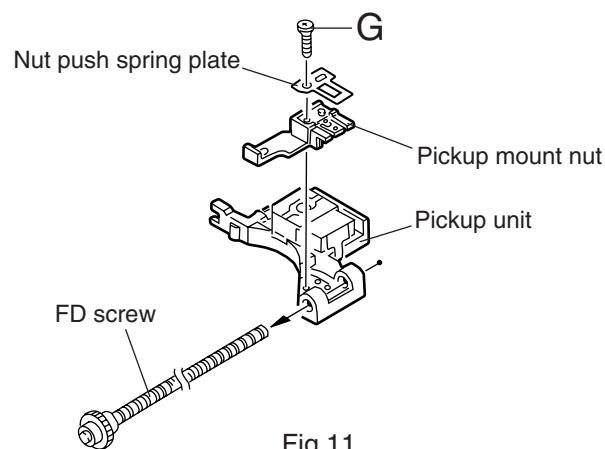


Fig.11

2. Remove the screw **G** attaching the nut push spring plate and the pickup mount nut from the pickup unit. Pull out the FD screw.

■ Removing the spindle motor (See Fig.12 and 13)

- Prior to performing the following procedure, remove the CD mechanism control board, the front bracket (loading motor), the CD mechanism assembly and the feed motor assembly.

1. Turn up the CD mechanism assembly and remove the two springs **k** on both sides of the clamber arms. Open the clamber arm upward.
2. Turn the turn table, and remove the two screws **H** and the spindle motor.

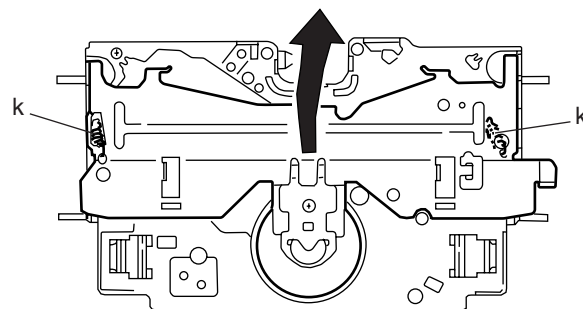


Fig.12

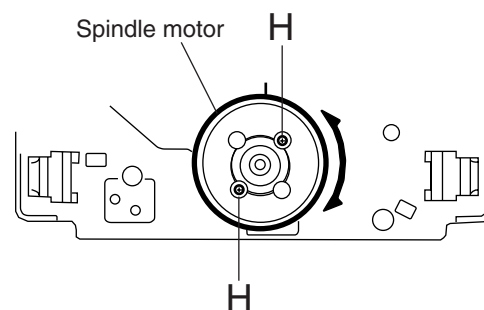


Fig.13

Adjustment method

■ Test instruments required adjustment

1. Digital oscilloscope (100MHz)
2. AM Standard signal generator
3. FM Standard signal generator
4. Stereo modulator
5. Electric voltmeter
6. Digital tester
7. Tracking offset meter
8. Test Disc JVC : CTS-1000
9. Extension cable for check
EXTGS004-26P

■ Standard volume position

Balance and Bass & Treble volume : Indication "0"
BBE:OFF

■ Frequency Band

FM 1 – 3 87.5MHz – 108.0MHz
MW 531kHz – 1602kHz

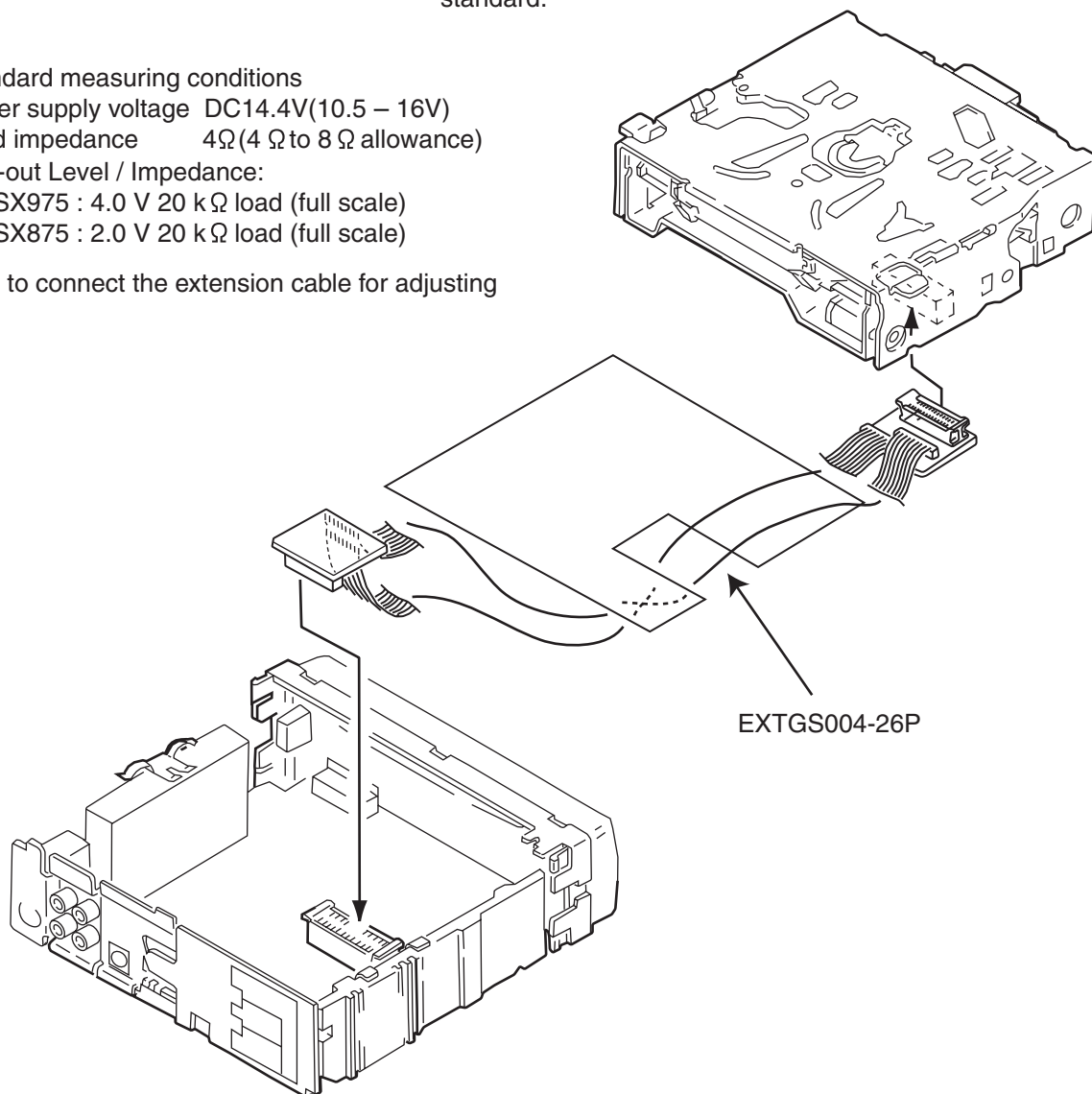
■ Dummy load

Exclusive dummy load should be used for AM, and FM.
For FM dummy load, there is a loss of 6dB between SSG output and antenna input. The loss of 6dB need not be considered since direct reading of figures are applied in this working standard.

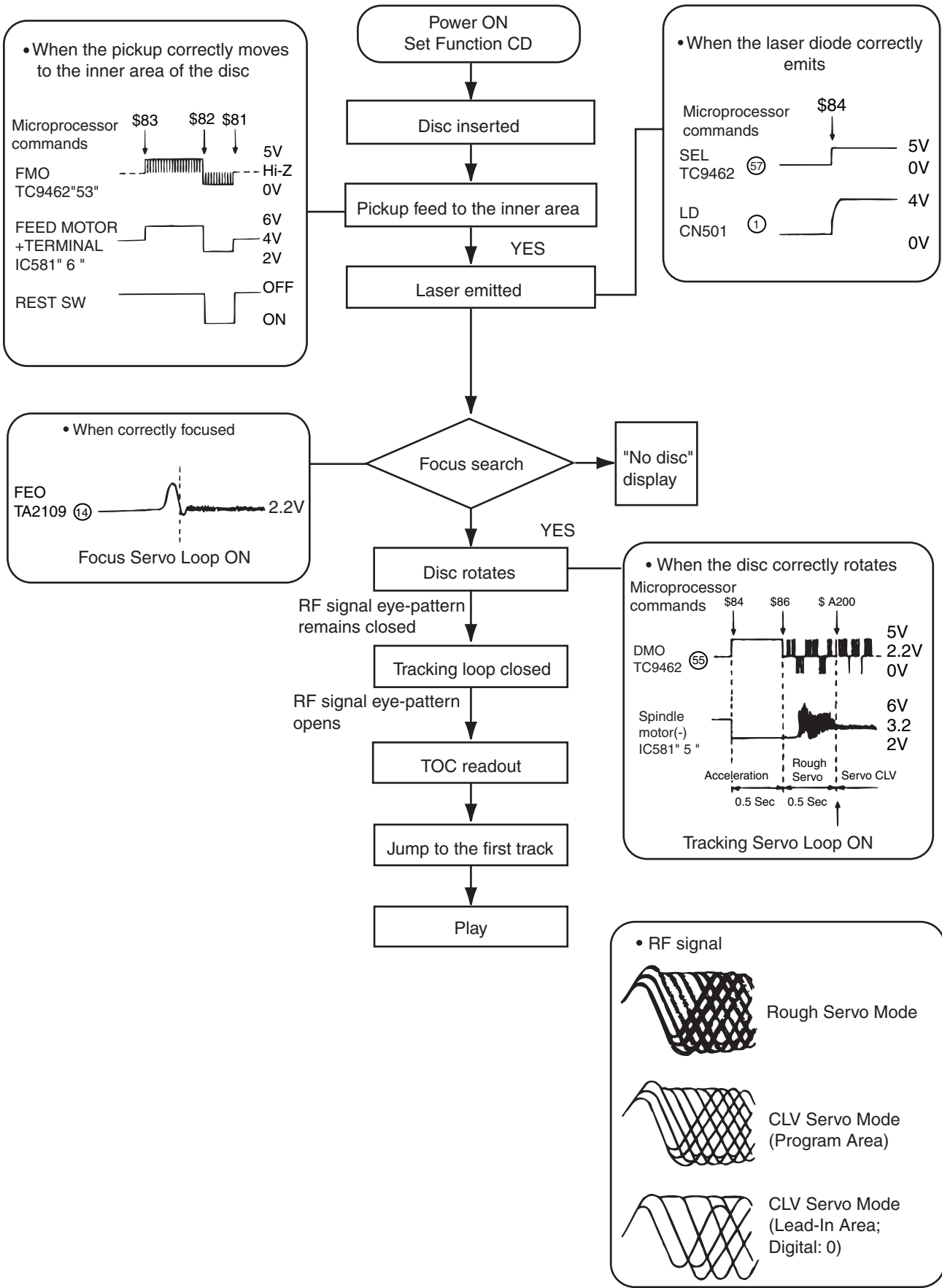
■ Standard measuring conditions

Power supply voltage DC14.4V(10.5 – 16V)
Load impedance 4Ω (4 Ω to 8 Ω allowance)
Line-out Level / Impedance:
KD-SX975 : 4.0 V 20 kΩ load (full scale)
KD-SX875 : 2.0 V 20 kΩ load (full scale)

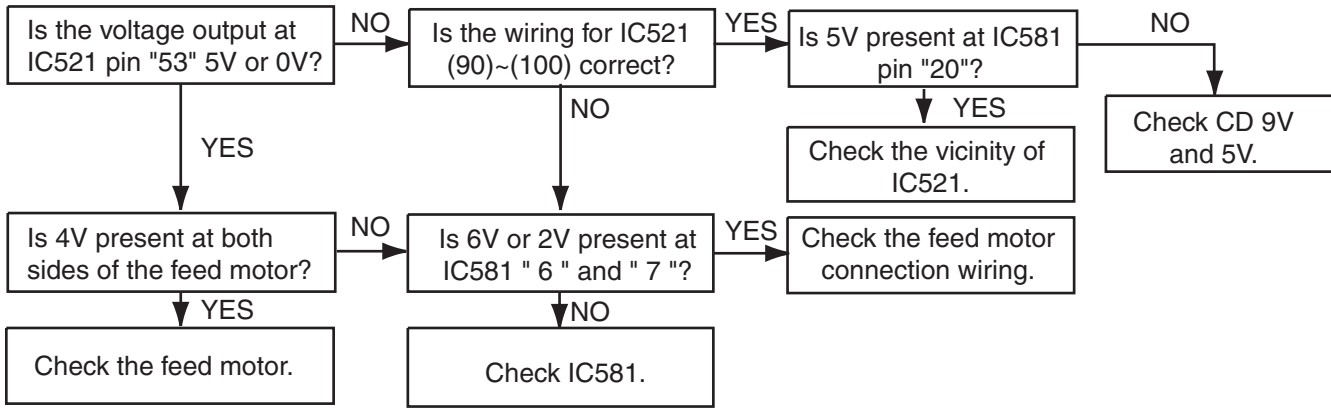
■ How to connect the extension cable for adjusting



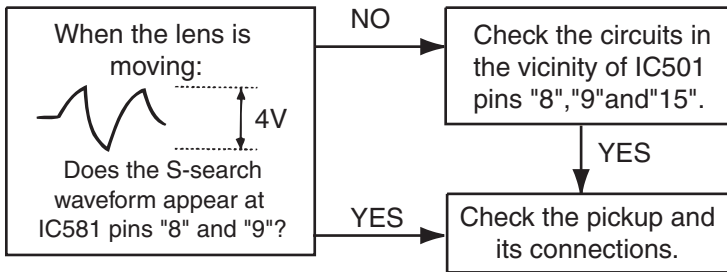
Flow of functional operation unit TOC read



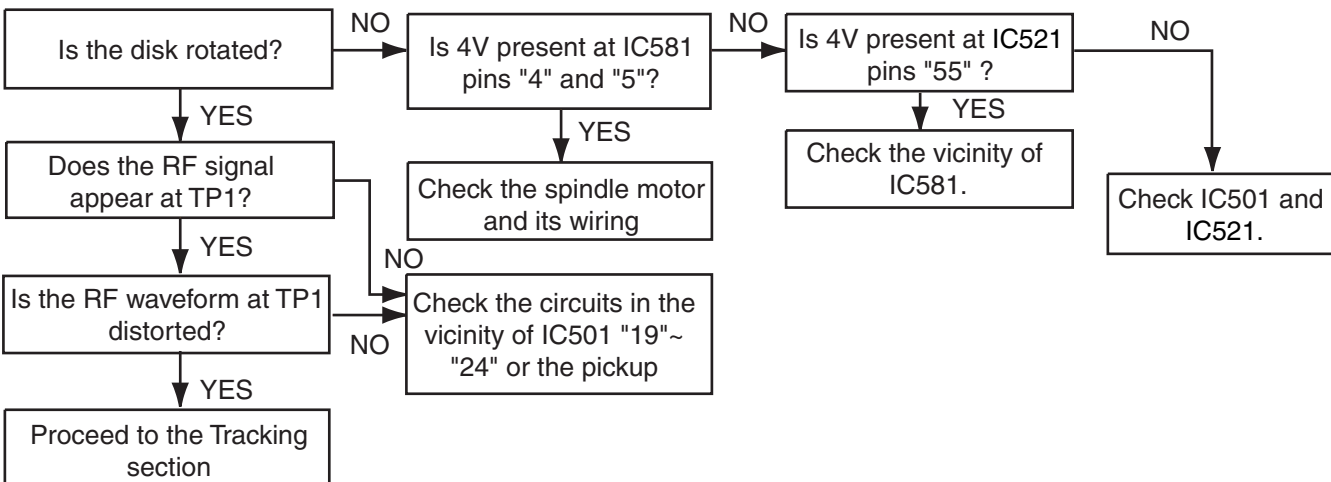
■ **Feed section**



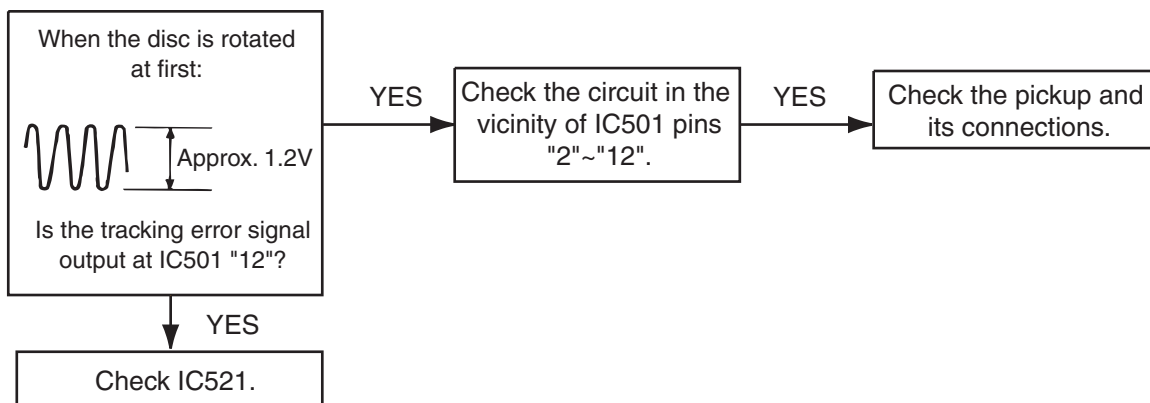
■ **Focus section**



■ **Spindle section**



■ **Tracking section**



Maintenance of laser pickup

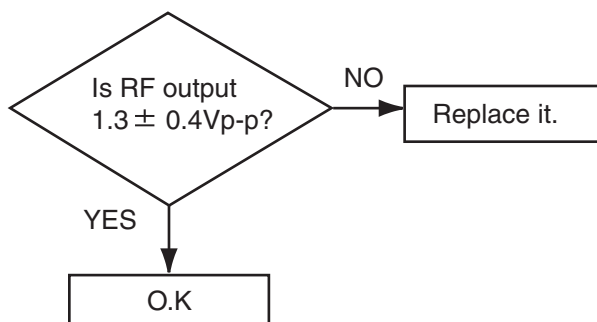
(1) Cleaning the pick up lens

Before you replace the pick up, please try to clean the lens with a alcohol soaked cotton swab.

(2) Life of the laser diode

When the life of the laser diode has expired, the following symptoms will appear.

- (1) The level of RF output (EFM output: amplitude of eye pattern) will be low.



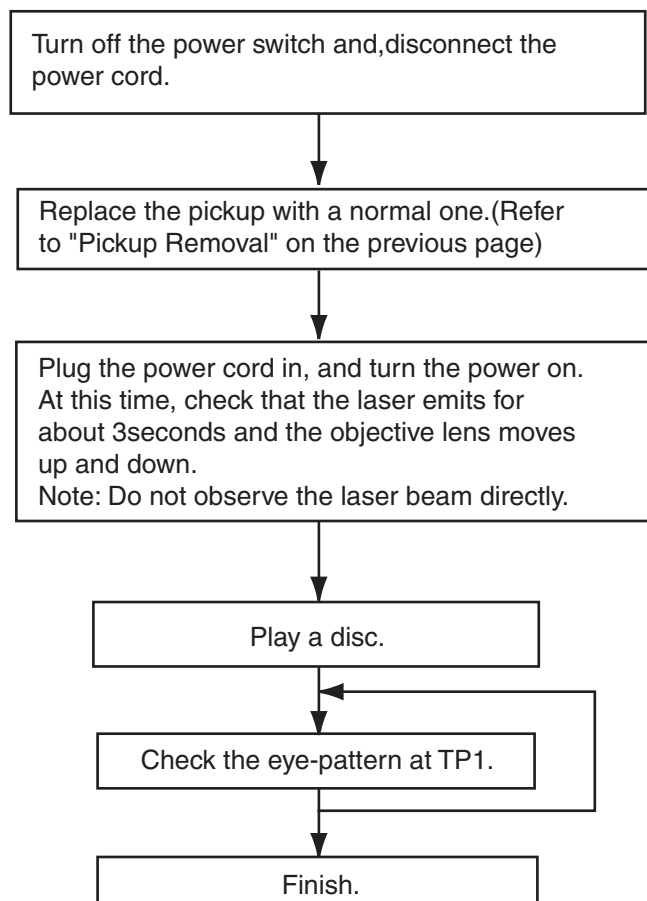
(3) Semi-fixed resistor on the APC PC board

The semi-fixed resistor on the APC printed circuit board which is attached to the pickup is used to adjust the laser power. Since this adjustment should be performed to match the characteristics of the whole optical block, do not touch the semi-fixed resistor.

If the laser power is lower than the specified value, the laser diode is almost worn out, and the laser pickup should be replaced.

If the semi-fixed resistor is adjusted while the pickup is functioning normally, the laser pickup may be damaged due to excessive current.

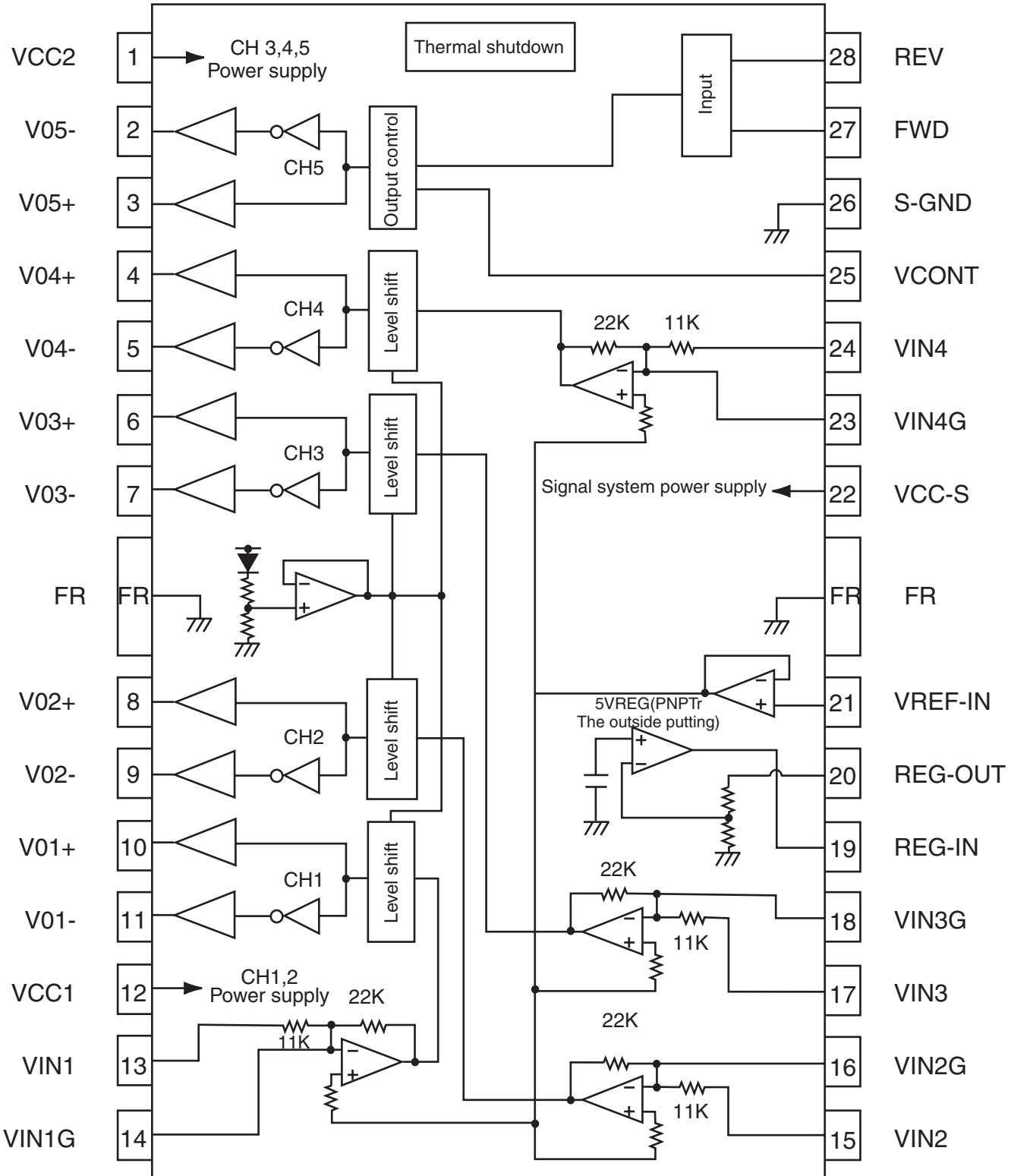
Replacement of laser pickup



Description of major ICs

■ LA6567H-X (IC581) : CD driver

1.Pin layout & Block diagram



2. Pin function

LA6567H-X(2/2)

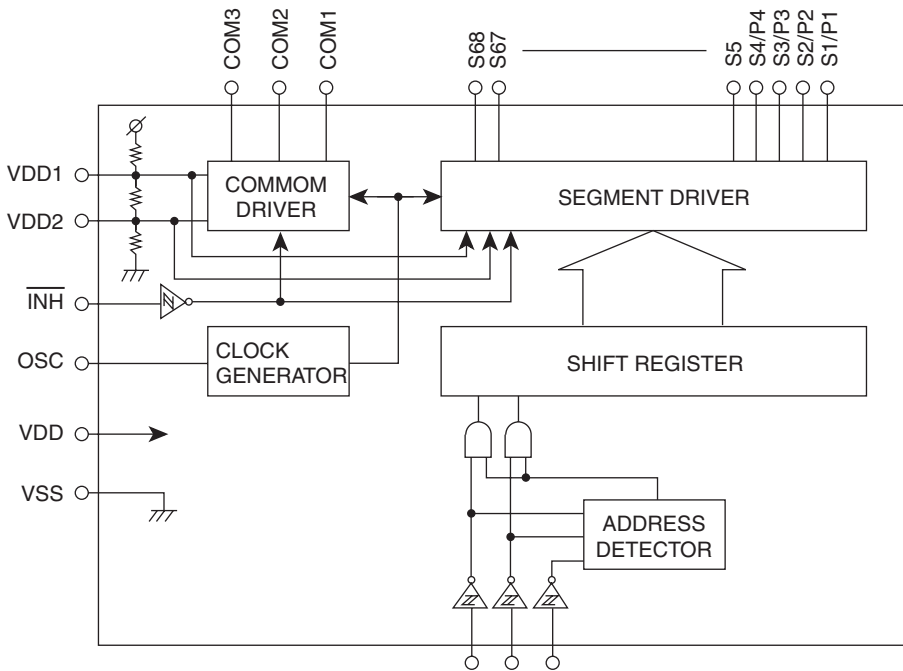
Pin no.	Symbol	Function
1	VCC2	CH3,4,5 Power supply(It is short with VCC1,VCC-S)
2	V05-	Loading output(-)
3	V05+	Loading terminal (+)
4	V04+	CH4 Output terminal(+)
5	V04-	CH4 Output terminal(-)
6	V03+	CH3 Output terminal(+)
7	V03-	CH3 Output terminal(-)
8	V02+	CH2 Output terminal(+)
9	V02-	CH2 Output terminal(-)
10	V01+	CH1 Output terminal(+)
11	V01-	CH1 Output terminal(-)
12	VCC1	CH1,2(BTL) Power supply(It is short with VCC-S,VCC2)
13	VIN1	CH1 Input terminal
14	VIN1G	CH1 Input terminal(For gain adjustment)
15	VIN2	CH2 Input terminal
16	VIN2G	CH2 Input terminal(For gain adjustment)
17	VIN3	CH3 Input terminal
18	VIN3G	CH3 Input terminal(For gain adjustment)
19	REG-IN	Regulator terminal(Outside putting PNP base)
20	REG-OUT	Regulator terminal(Outside putting PNP collector)
21	VREF-IN	Standard voltage input terminal
22	VCC-S	Signal system power supply(It is short with VCC1,VCC2)
23	VIN4G	CH4 Input terminal(For gain adjustment)
24	VIN4	CH4 Input terminal
25	VCONT	5CH(VLO) Output voltage set terminal
26	S-GND	Signal system GND
27	FWD	5CH(VLO)Signal output switch terminal(FWD),Input of logic of loading part
28	REV	5CH(VLO)Signal output switch terminal(REV), Input of logic of loading part

* Frame(FR)at the center becomes system GND.

* Please be short-circuited on the outside and use the terminal of the power supply system and three terminals of VCC-S, VCC1,VCC2.

■ LC75873NW (IC601) : LCD driver

1. Block diagram

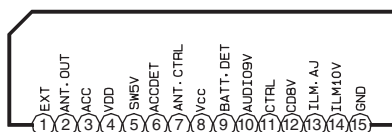


2. Pin functions

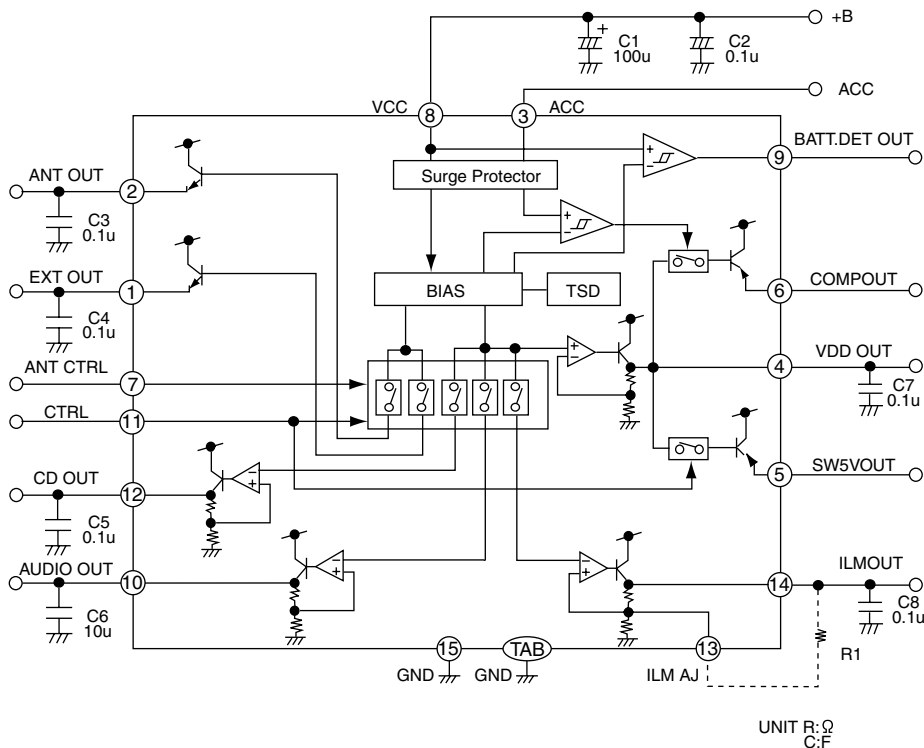
Pin No.	Symbol	I/O	Description
1~66	S3~S68	O	Segment Output.
67~69	COM1~3	O	Common Driver Output.
70	VDD	-	Power Supply Connection.
71	VDD1	I	Used for applying the LCD drive 2/3 bias voltage externally. Must be connected to VDD2 when a 1/2 bias drive scheme in used.
72	VDD2	I	Used for applying the LCD drive 1/3 bias voltage externally. Must be connected to VDD1 when a 1/2 bias drive scheme in used.
73	VSS	-	Power supply connection.
74	OSC	I/O	Oscillator connection. An oscillator circuit is formed by connecting an external resistor and capacitor to this pin.
75	INH	I	Display off control input.
76	$\overline{\text{CE}}$	I	Chip enable input.
77	CLOCK	I	Synchronization clock input.
78	DI	I	Serial data input.
79	DIMMER	O	DIMMER Control signal output.
80	NC	-	Non connect.

■ HA13164A (IC961) : Regulator

1.Pin layout



2.Block diagram



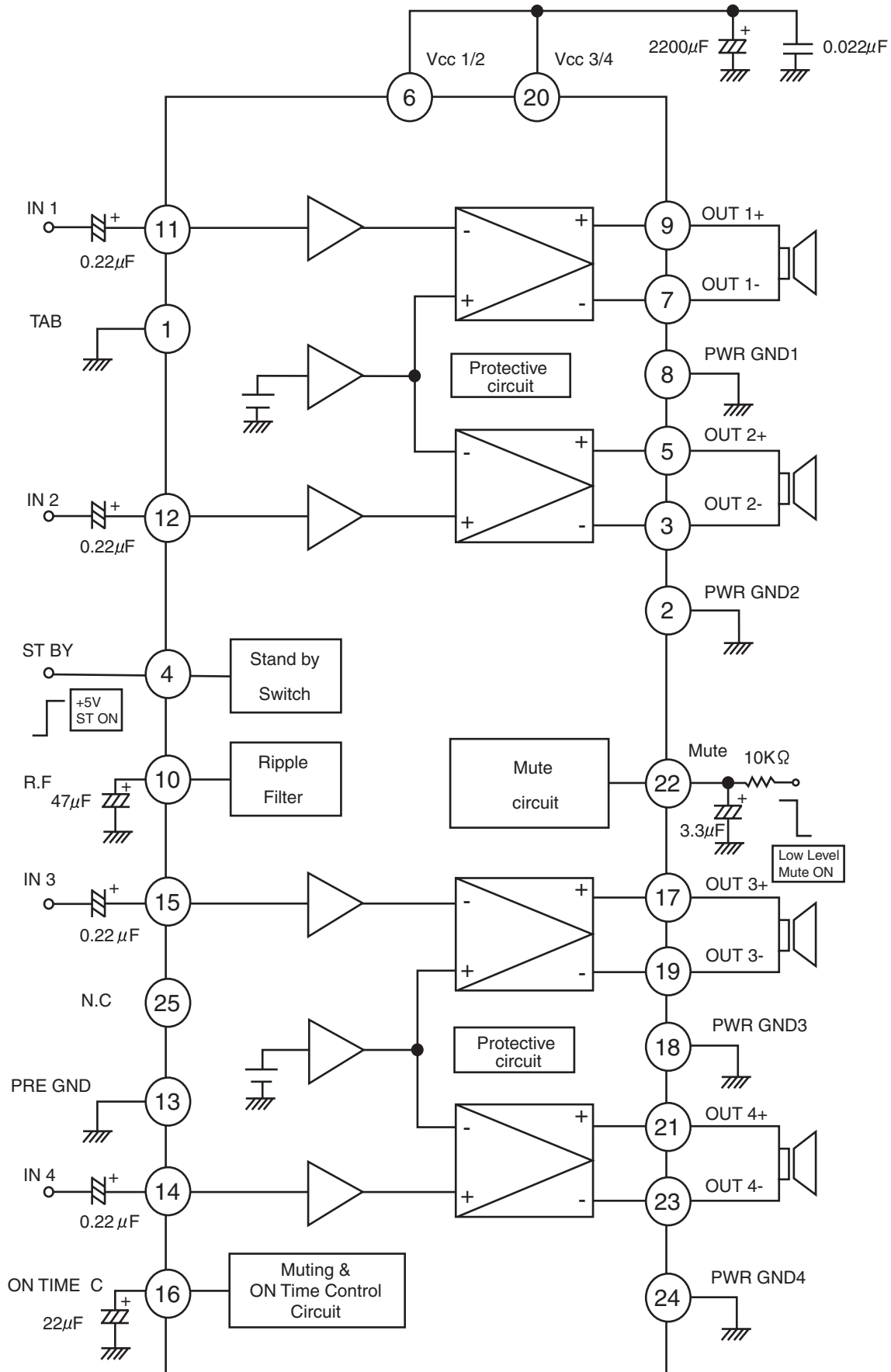
note1) TAB (header of IC)
connected to GND

3.Pin function

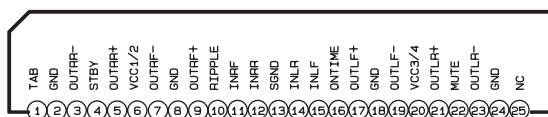
Pin No.	Symbol	Function
1	EXTOUT	Output voltage is VCC-1 V when M or H level applied to CTRL pin.
2	ANTOUT	Output voltage is VCC-1 V when M or H level to CTRL pin and H level to ANT-CTRL.
3	ACCIN	Connected to ACC.
4	VDDOUT	Regular 5.7V.
5	SW5VOUT	Output voltage is 5V when M or H level applied to CTRL pin.
6	COMPOUT	Output for ACC detector.
7	ANT CTRL	L:ANT output OFF , H:ANT output ON
8	VCC	Connected to VCC.
9	BATT DET	Low battery detect.
10	AUDIO OUT	Output voltage is 9V when M or H level applied to CTRL pin.
11	CTRL	L:BIAS OFF, M:BIAS ON, H:CD ON
12	CD OUT	Output voltage is 8V when H level applied to CTRL pin.
13	ILM AJ	Adjustment pin for ILM output voltage.
14	ILM OUT	Output voltage is 10V when M or H level applied to CTRL pin.
15	GND	Connected to GND.

■ LA4743K (IC351) : Power amp

1. Block diagram



2. Terminal layout



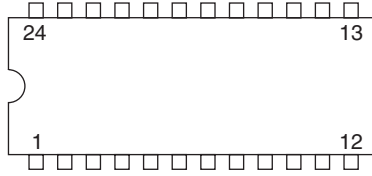
3. Pin function

LA4743B

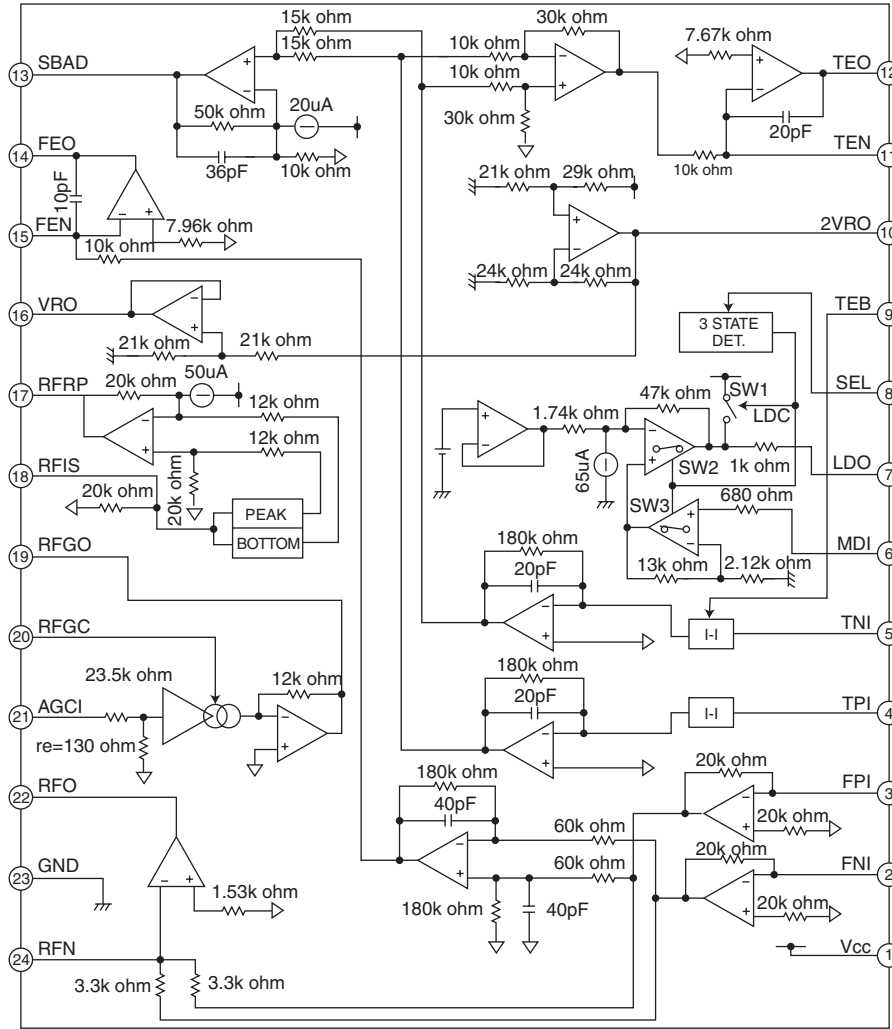
Pin No.	Symbol	Function
1	TAB	Header of IC
2	GND	Power GND
3	OUTRR-	Output (-) for front Rch
4	STBY	Stand by input
5	OUTRR+	Output (+) for front Rch
6	VCC1/2	Power input
7	OUTRF-	Output (-) for rear Rch
8	GND	Power GND
9	OUTRF+	Output (+) for rear Rch
10	RIPPLE	Ripple filter
11	INRF	Rear Rch input
12	INRR	Front Rch input
13	SGND	Signal GND
14	INLR	Front Lch input
15	INLF	Rear Lch input
16	ONTIME	Power on time control
17	OUTLF+	Output (+) for rear Lch
18	GND	Power GND
19	OUTLF-	Output (-) for rear Lch
20	VCC3/4	Power input
21	OUTLR+	Output (+) for front
22	MUTE	Muting control input
23	OUTLR-	Output (-) for front
24	GND	Power GND
25	NC	Non connection

■ TA2109F-X (IC501) : RF amp.

1. Pin layout



2. Block diagram

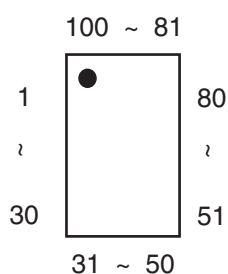


3. Pin function

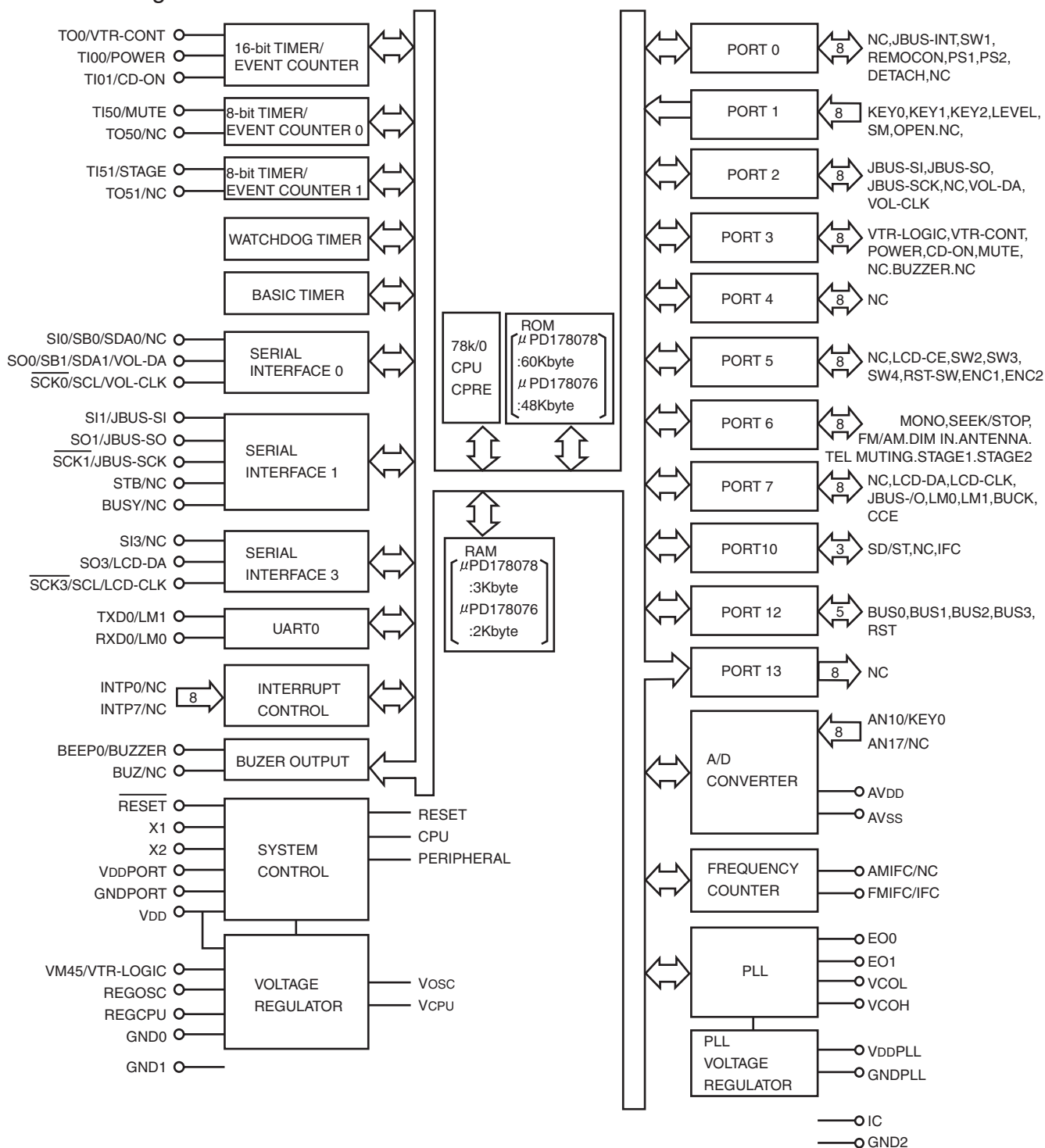
Pin No.	Symbol	I/O	Pin function	Pin No.	Symbol	I/O	Pin function
1	Vcc	-	Power supply input terminal	13	SBAD	O	Sub beam adder signal output terminal
2	FNI	I	Main beam I-V amp input terminal	14	FEO	O	Focus error signal output terminal
3	FPI	I	Main beam I-V amp input terminal	15	FEN	I	FE amp negative input terminal
4	TPI	I	Sub beam I-v input terminal	16	VRO	O	Reference voltage (VREF) output terminal
5	TNI	I	Sub beam I-V input terminal	17	RFRP	O	Track count signal output terminal
6	MDI	I	Monitor photo diode amp input terminal	18	RFIS	I	RFRP detect circuit input terminal
7	LDO	O	Laser diode amp output terminal	19	RFGO	O	RF gain signal output terminal
8	SEL	I	Laser diode control signal input terminal	20	RFGC	I	RF amplitude adj. control signal input terminal
9	TEB	I	T. error balance adj. signal input terminal	21	AGCI	I	RF signal amplitude adj. amp input terminal
10	2VRO	O	Reference voltage output terminal	22	RFO	O	RF signal output terminal
11	TEN	I	TE amp negative input terminal	23	GND	-	Ground terminal
12	TEO	O	TE error signal output terminal	24	RFN	I	RF amp negative input terminal

■ UPD178078GF-543 (IC701) : SYSTEM CPU

1. Terminal layout



2. Block diagram



3.Pin function

UPD178078GF(1/2)

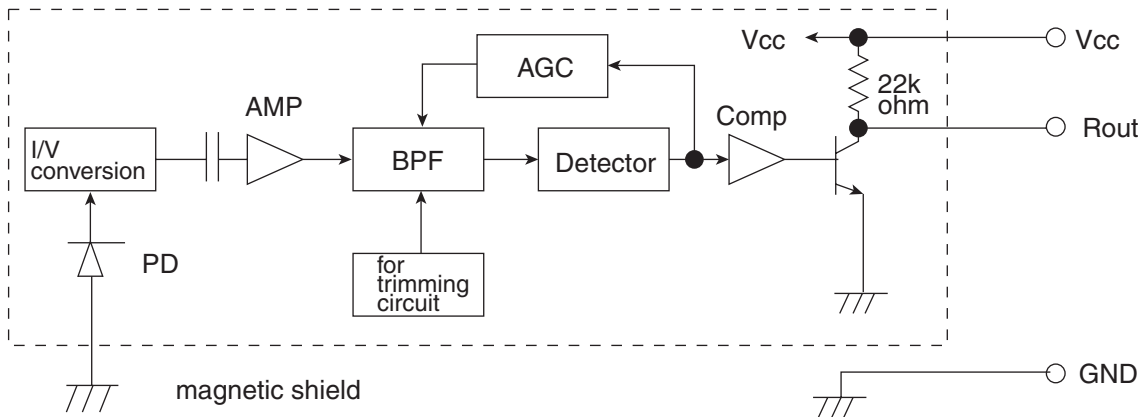
Pin NO.	Symbol	I/O	FUNCTION
1	NC	-	Non connection
2	JBUS-INT	I	JVC BUS COMMUNICATION LINE
3	JBUS-SI	I	JVC BUS COMMUNICATION LINE
4	JBUS-SO	O	JVC BUS COMMUNICATION LINE
5	JBUS-SCK	O	JVC BUS COMMUNICATION LINE
6	NC	-	Non connection
7	NC	-	Non connection
8	NC	-	Non connection
9	VOL-DA	O	VOL IC COMMUNICATION LINE
10	VOL-CLK	O	VOL IC COMMUNICATION LINE
11	NC	-	Non connection
12	LCD-DA	O	CD DRIVER COMMUNICATION LINE
13	LCD-CLK	O	LCD DRIVER COMMUNICATION LINE
14	JBUS-I/O	O	JVC BUS OUTPUT SELECT
15	NC	-	Non connection
16	LCD-CE	O	LCD DRIVER COMMUNICATION LINE
17	SW2	I	CD MECHA SW
18	SW3	I	CD MECHA SW
19	SW4	I	CD MECHA SW
20	RST-SW	I	TRAVERSE MECHA REST SW
21	ENC1	I	ENCODER INPUT
22	ENC2	I	ENCORDER INPUT
23	KEY0	I	KEY INPUT
24	KEY1	I	KEY INPUT
25	KEY2	I	KEY INPUT
26	LEVEL	I	AUDIO LEVEL INPUT
27	AVDD	-	-
28	SM	I	SIGNAL LEVEL METER INPUT
29	OPEN	I	DOOR OPEN DATECTION
30	NC	-	Non connection
31	NC	-	-
32	AVSS	-	-
33	REGCPU	-	-
34	VDD	-	-
35	REGOSC	-	SYSTEM CLOCK
36	X2	I	SYSTEM CLOCK
37	X1	-	-
38	GND	-	-
39	SD/ST	I	STATION DETECTOR & STERO IND
40	GND2	-	Non connection
41	NC	-	IF COUNT INPUT
42	IFC	I	-
43	VDDPLL	-	FM,AM OSC INPUT
44	OSC-INPUT	I	Non connection
45	NC	-	-
46	GNDPLL	-	PLL ERROR OUTPUT FOR AM
47	AME0	O	PLL ERROR OUTPUT FOR FM
48	FME0	O	SETTING TO WRITE FOR FLASH
49	ICVPP	-	SYSTEM RESET
50	RESET	I	SYSTEM RESET

Pin NO.	Symbol	I/O	FUNCTION
51	SW1	I	CD MECHA SW
52	REMOCON	I	REMOCON INPUT
53	VTR-LOGIC	-	Non connection
54	VTR-CONT	-	Non connection
55	POWER	O	POWER CONT.
56	CD-ON	O	CD POWER CONT.
57	MUTE	O	MUTE CONT
58	NC	-	Non connection
59	BUZZER	I	BEEP FOR SW OPERATION
60	NC	-	Non connection
61	NC	-	Non connection
62	NC	-	Non connection
63	NC	-	Non connection
64	NC	-	Non connection
65	NC	-	Non connection
66	NC	-	Non connection
67	NC	-	Non connection
68	NC	-	Non connection
69	LM0	O	CD MECHA DRIVER CONT.
70	LM1	O	CD MECHA DRIVER CONT.
71	BUCK	O	CD LSI COMMUNICATION LINE
72	CCE	O	CD LSI COMMUNICATION LINE
73	BUS0	I/O	CD LSI COMMUNICATION LINE
74	BUS1	I/O	CD LSI COMMUNICATION LINE
75	BUS2	I/O	CD LSI COMMUNICATION LINE
76	BUS3	I/O	CD LSI COMMUNICATION LINE
77	RST	O	CD LSI COMMUNICATION LINE
78	PS1	I	ACC DETECTION INPUT
79	PS2	I	MEMORY DETECTION
80	DETACH	I	DETACH DETECTION
81	NC	-	Non connection
82	GND1	-	MONO BY FORCE
83	MONO	O	SWITCHING SEEK & STOP
84	SEEK/STOP	O	BAND SW
85	FM/AM	O	OUTPUT L
86	DIMIN	I	ILM CONTROL
87	ANT	O	ANT COTROL
88	TEL MUTE	I	TEL MUTE IN
89	STAGE1	-	Non connection
90	STAGE2	-	Non connection
91	NC	-	Non connection
92	NC	-	Non connection
93	NC	-	Non connection
94	NC	-	Non connection
95	NC	-	Non connection
96	NC	-	Non connection
97	NC	-	Non connection
98	DIMMER	O	DIMMER CONTROL
99	VDDPORT	-	-
100	GNDPORT	-	-

Pin No.	Symbol	I/O	Function	Remarks								
26	HSSW	O	2/4 times speed at "VREF" voltage.	2-state output.(P2VREF,HiZ)								
27	ZDET	O	1 bit DA converter zero detect flag output terminal.	-								
28	PDO	O	Phase difference signal output terminal of EFM signal and PLCK signal.	3-state output. (P2VREF,PVREF,VSS)								
29	TMAXS	O	TMAX detection result output terminal. Selected by command bit (TMPS)	3-state output. (P2VREF,PVREF,VSS)								
30	TMAX	O	TMAX detection result output terminal. Selected by command bit (TMPS)	3-state output. (P2VREF,HiZ,VSS)								
			<table border="1"> <thead> <tr> <th>DIFFERENCE RESULT</th> <th>TMAX OUTPUT</th> </tr> </thead> <tbody> <tr> <td>Longer than fixed freq.</td> <td>"P2VREF"</td> </tr> <tr> <td>Shorter than fixed freq.</td> <td>"VSS"</td> </tr> <tr> <td>Within the fixed freq.</td> <td>"HiZ"</td> </tr> </tbody> </table>	DIFFERENCE RESULT	TMAX OUTPUT	Longer than fixed freq.	"P2VREF"	Shorter than fixed freq.	"VSS"	Within the fixed freq.	"HiZ"	
DIFFERENCE RESULT	TMAX OUTPUT											
Longer than fixed freq.	"P2VREF"											
Shorter than fixed freq.	"VSS"											
Within the fixed freq.	"HiZ"											
31	LPFN	I	LPF amplifier inverting terminal for PLL.	Analog input.								
32	LPFO	O	LPF amplifier output terminal for PLL.	Analog output.								
33	PVREF	-	PLL reference voltage supply terminal.	-								
34	VCOREF	I	VCO center frequency reference level terminal. Normally, keep at "PVREF" level.	-								
35	VCOF	O	VCO filter terminal.	Analog output.								
36	AVSS	-	Analog GND terminal.	-								
37	SLCO	O	Data slice level output terminal.	Analog output.								
38	RFI	I	RF signal input terminal.	Analog input. (Zin:selected by command)								
39	AVDD	-	Analog power supply voltage terminal.	-								
40	RFCT	I	RFRP signal center level input terminal	Analog input.(Zin : 50k Ω)								
41	RFZI	I	RFRP zero cross input terminal	Analog input.								
42	RFRP	I	RF ripple signal input terminal	Analog input.								
43	FEI	I	Focus error signal input terminal	Analog input.								
44	SBAD	I	Sub-beam adder signal input terminal	Analog input.								
45	TSIN	I	Test input terminal Normally, keep at "vref" level	Analog input.								
46	TEI	I	Tracking error signal input terminal. Take in at tracking servo ON.	Analog input.								
47	TEZI	I	Tracking error zero cross input terminal	Analog input.(Zin :10k Ω)								
48	FOO	O	Focus servo equalizer output terminal	Analog output.(2VREF - AVSS)								
49	TRO	O	Tracking servo equalizer output terminal	-								
50	VREF	-	Analog reference voltage supply terminal	3-state PWM signal output.								
51	RFGC	O	RF amplitude adjustment control signal output terminal	(2VREF,VREF,VSS)								
52	TEBC	O	Tracking balance control signal output terminal	(PWM carrier =88.2kHz)								
53	FMO	O	Feed equalizer output terminal									
54	FVO	O	Speed error signal or feed search equalizer output terminal									
55	DMO	O	Disk equalizer output terminal (PWM carrier=88.2kHz for DSP, Synchronize to PXO)	3-state output. (2VREF,VREF,VSS)								
56	2VREF	-	Analog double reference voltage supply terminal	-								
57	SEL	O	APC circuit ON/OFF indication signal output terminal	-								
58~61	FLGA~D	O	External flag output terminal for internal signal	-								
62	VDD	-	Digital power supply voltage terminal	-								
63	VSS	-	Digital GND terminal	-								
64~67	IO0~3	I/O	General I/O terminal	-								
68	DMOUT	I	This terminal control IO0~IO3 terminal	With pull-up resistor.								
69	CKSE	I	Normally, keep at open	With pull-up resistor.								
70	DACT	I	DAC test mode terminal. Normally, keep at open	With pull-up resistor.								

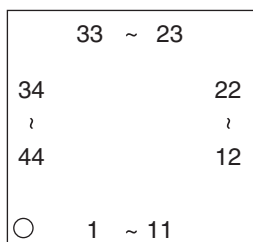
Pin No.	Symbol	I/O	Function	Remarks
71	TESIN	I	Test input terminal, Normally, keep at "L" level	Analog input.
72	TESIO1	I	Test input/output terminal. Normally, keep at "L" level	Analog input.
73	VSS	-	Digital GND terminal	-
74	PXI	I	Crystal oscillator connecting input terminal for DSP	-
75	PXO	O	Crystal oscillator connecting output terminal for DSP	-
76	VDD	-	Digital power supply voltage terminal	-
77	XVSS	-	Oscillator GND terminal for system clock	-
78	XI	I	Crystal oscillator connecting input terminal for system clock	-
79	XO	O	Crystal oscillator connecting output terminal for system clock	-
80	XVDD	-	Oscillator power supply voltage terminal for system clock	-
81	DVSR	-	Analog GND terminal for DA converter (Rch)	-
82	RO	O	R channel data forward output terminal	-
83	DVDD	-	Analog supply voltage terminal for DA converter	-
84	DVR	-	Reference voltage terminal for DA converter	-
85	LO	O	L channel data forward output terminal	-
86	DVSL	-	Analog GND terminal for DA converter (Lch)	-
87~89	TEST1~3	I	Test mode terminal . Normal keep at open	With piull-up resistor.
90~93	BUS0~3	I/O	Micon interface data input/output terminal	Schmit input. With pull-up resistor.
94	VDD	-	Digital power supply voltage terminal	-
95	VSS	-	Digital GND terminal	-
96	BUCK	I	Micon interface clock input terminal	Schmit input.
97	CCE	I	Command and data sending/receiving chip enable signal input terminal	Schmit input.
98	TEST4	I	Test mode terminal. Normal, keep at open	With pull-up resistor.
99	TSMOD	I	Local test mode selection terminal	With pull-up resistor.
100	RST	I	Reset signal input terminal. Reset at "L" level	With pull-up resistor.

■ RPM6938-SV4 (IC602) : Remote control receiver

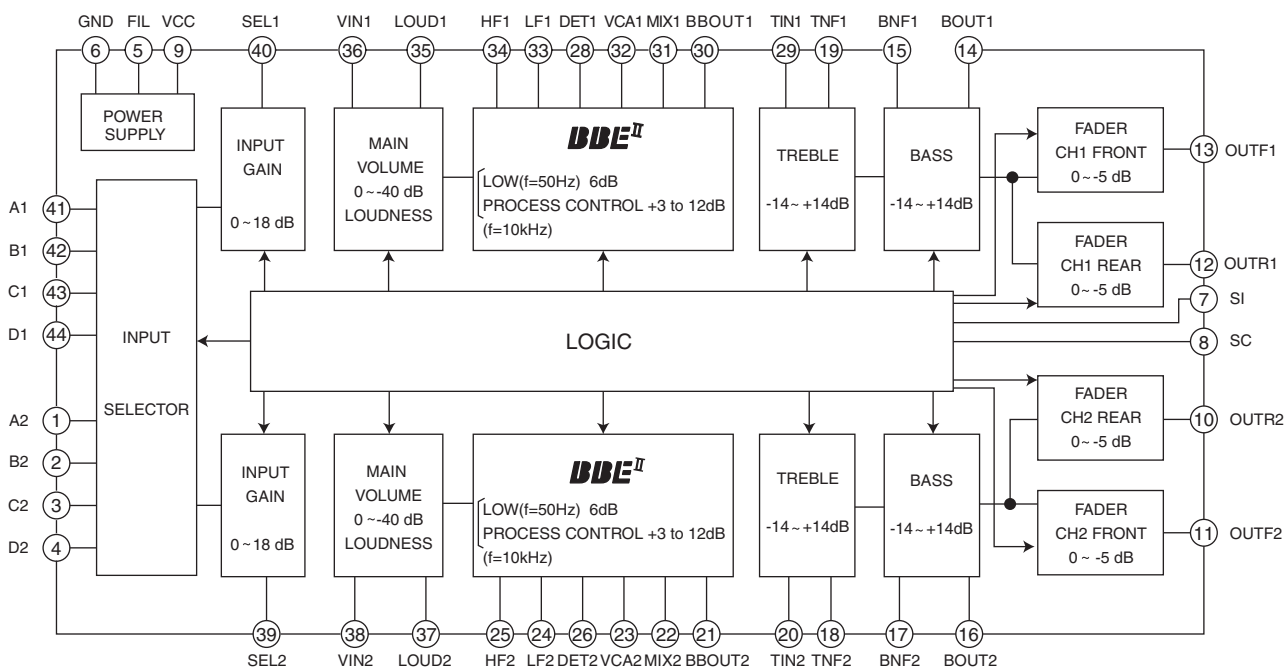


■ BD3860K (IC301) : E. volume

1. Terminal layout



2. Block diagram

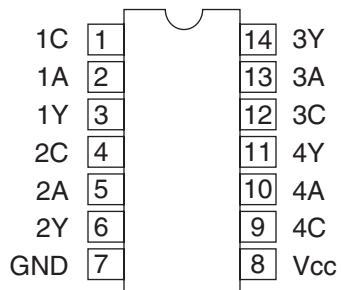


3. Pin function

Pin No.	Symbol	Function	Pin No.	Symbol	Function
1	A2	CH2 Input Pin A	23	VCA2	CH2 High Pass VCA Output Pin
2	B2	CH2 Input Pin B	24	LF2	CH2 Low Pass Filter Setting Pin
3	C2	CH2 Input Pin C	25	HF2	CH2 High Pass Filter Setting Pin
4	D2	CH2 Input Pin D	26	DET2	CH2 High Pass Attack/Release Time Setting Pin
5	FIL	1/2 VCC Pin	27	NC	Non connect
6	GND	Ground Pin	28	DET1	CH1 High Pass Attack/Release Time Setting Pin
7	SI	Serial Data Receiving Pin	29	TIN1	CH1 treble Input Pin
8	SC	Serial Clock Receiving Pin	30	BBOUT1	CH1 BBE II Signal Output Pin
9	VCC	Power Supply Pin	31	MIX1	CH1 Output MIX Amplifier Inverse Input Pin
10	OUTR2	CH2 Rear Output Pin	32	VCA1	CH1 High Pass VCA Output Pin
11	OUTF2	CH2 Front Output Pin	33	LF1	CH1 Low Pass Filter Setting Pin
12	OUTR1	CH1 Rear Output Pin	34	HF1	CH1 High Pass Filter Setting Pin
13	OUTF1	CH1 Front Output Pin	35	LOUD1	CH1 Loudness Filter Setting Pin
14	BOUT1	CH1 Bass Filter Setting Pin	36	VIN1	CH1 Main Volume Input Pin
15	BNF1	CH1 Bass Filter Setting Pin	37	LOUD2	VCH2 Loudness Filter setting Pin
16	BOUT2	CH2 Bass Filter Setting Pin	38	VIN2	CH2 Main Volume Input Pin
17	BNF2	CH2 Bass Filter Setting Pin	39	SEL2	CH2 Input Gain Output Pin
18	TNF2	CH2 treble Filter Setting Pin	40	SEL1	CH1 Input Gain output Pin
19	TNF1	CH1 treble Filter Setting Pin	41	A1	CH1 Input Pin A
20	TIN2	CH2 treble Input Pin	42	B1	CH1 Input Pin B
21	BBOUT2	CH2 BBE II Signal Output Pin	43	C1	CH1 Input Pin C
22	MIX2	CH2 Output MIX Amplifier Inverse Input Pin	44	D1	CH1 Input Pin D

■ HD74HC126FP-X (IC771) : Buffer

1. Terminal layout

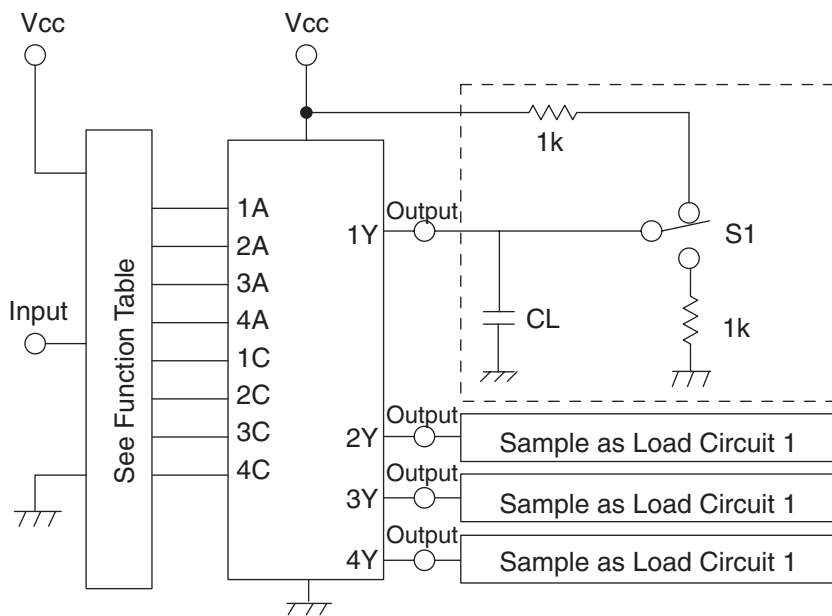


3. Pin function

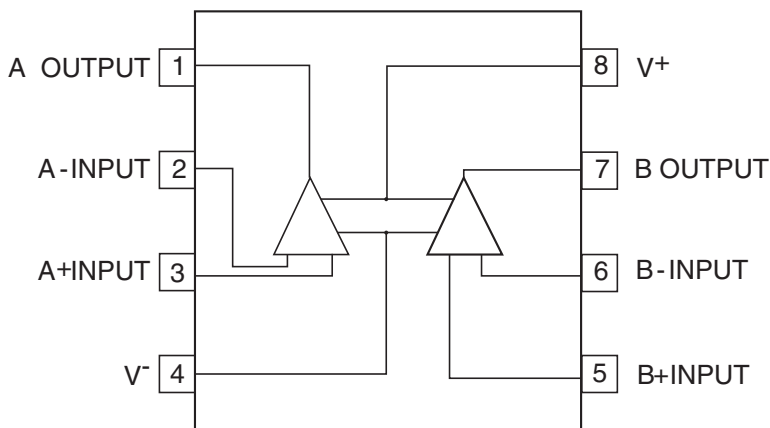
Input		Output
C	A	Y
L	X	Z
H	L	H
H	H	L

Note: H : High
 L : Low
 X : H and L
 Z : H.L.X

2. Block diagram



■ NJM4565M-WE (IC111) : Ope. amp



< MEMO >



VICTOR COMPANY OF JAPAN, LIMITED

MOBILE ELECTRONICS DIVISION

PERSONAL & MOBILE NETWORK BUSINESS UNIT. 10-1,1Chome,Ohwatari-machi,Maebashi-city,371-8543,Japan

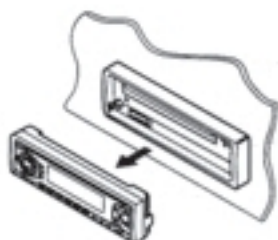
JVC

SCHEMATIC DIAGRAMS

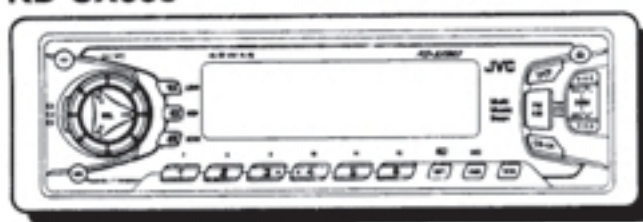
CD RECEIVER

KD-SX883

CD-ROM No.SML200211



KD-SX883



BBE^{II}®

COMPACT
disc
DIGITAL AUDIO


Area Suffix


UF China

Contents

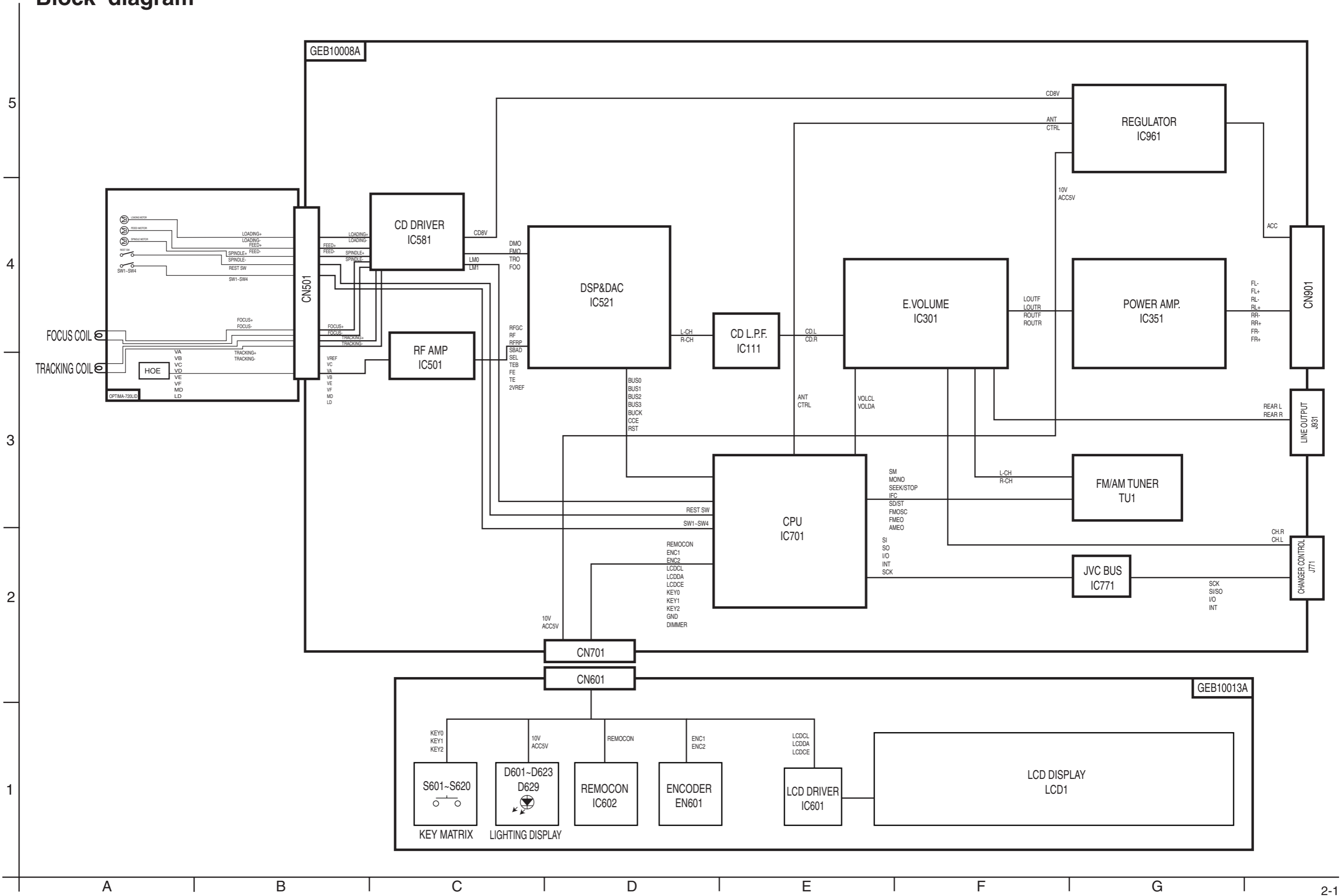
Block diagram	2-1
Standard schematic diagrams	2-2
Printed circuit boards	2-5~6

Safety precaution

 **CAUTION** Burrs formed during molding may be left over on some parts of the chassis. Therefore, pay attention to such burrs in the case of performing repair of this system.

 **CAUTION** Please use enough caution not to see the beam directly or touch it in case of an adjustment or operation check.

Block diagram



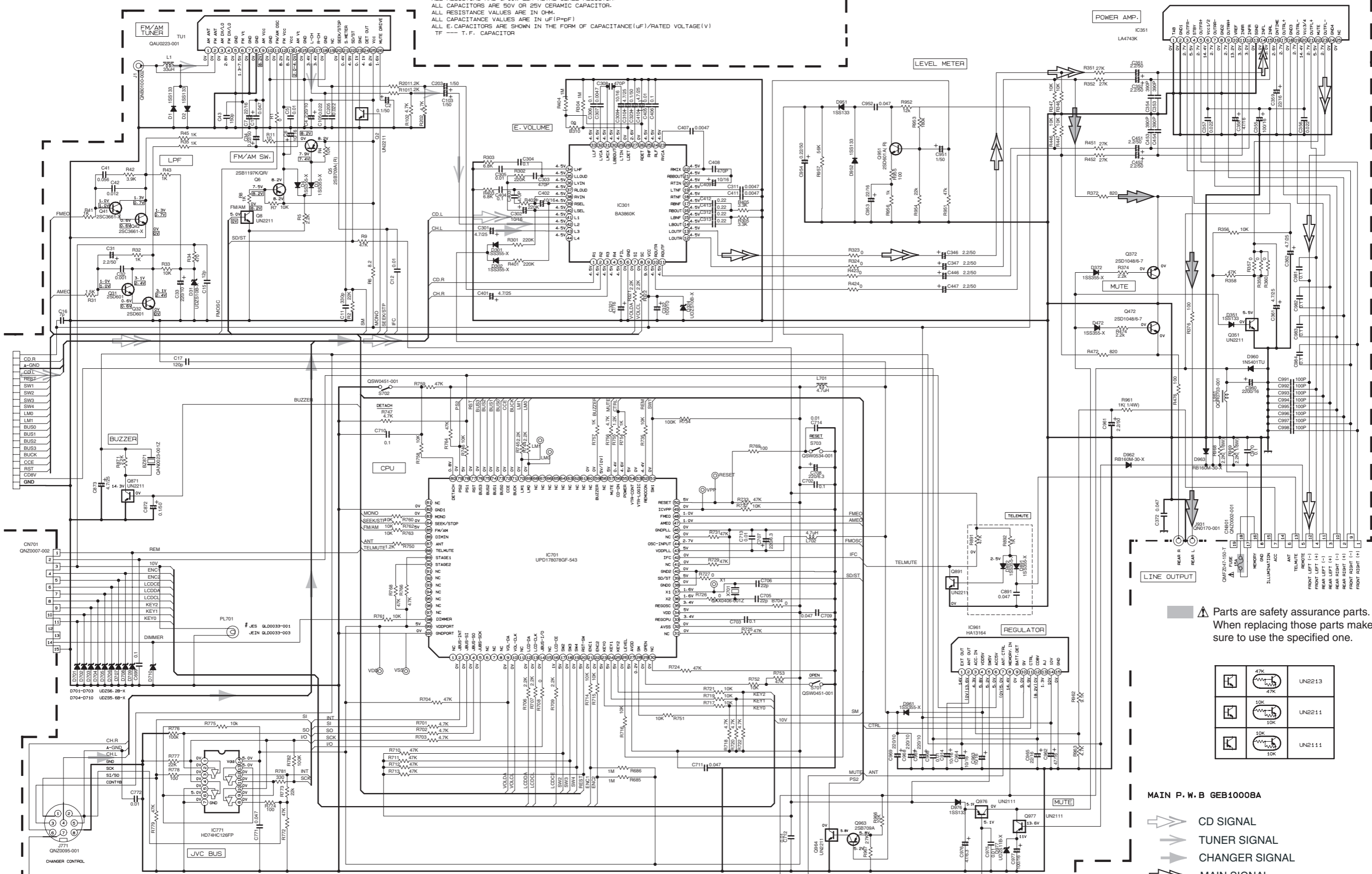
Standard schematic diagrams

Main amp. section

NOTES

- VOLTAGES ARE DC-MEASURED WITH A DIGITAL VOLT METER WITHOUT INPUT SIGNAL CONDITION—FM MODE. () AM MODE. () CD MODE.
- UNLESS OTHERWISE SPECIFIED, ALL RESISTORS ARE 1/10W ±5% METAL GLAZE RESISTOR. ALL CAPACITORS ARE 50V OR 25V CERAMIC CAPACITOR. ALL RESISTANCE VALUES ARE IN OHM. ALL CAPACITANCE VALUES ARE IN μF (P=PF) ALL E. CAPACITORS ARE SHOWN IN THE FORM OF CAPACITANCE(μF)/RATED VOLTAGE(V) TF — T. F. CAPACITOR

5
4
3
2
1



Parts are safety assurance parts. When replacing those parts make sure to use the specified one.

	47K	UN2213
	47K	UN2211
	10K	UN2111
	10K	UN2111

MAIN P. W. B GEB1000BA

- CD SIGNAL
- TUNER SIGNAL
- CHANGER SIGNAL
- MAIN SIGNAL
- LINE OUT SIGNAL

A B C 2-2 D E F G

■ Mecha control section

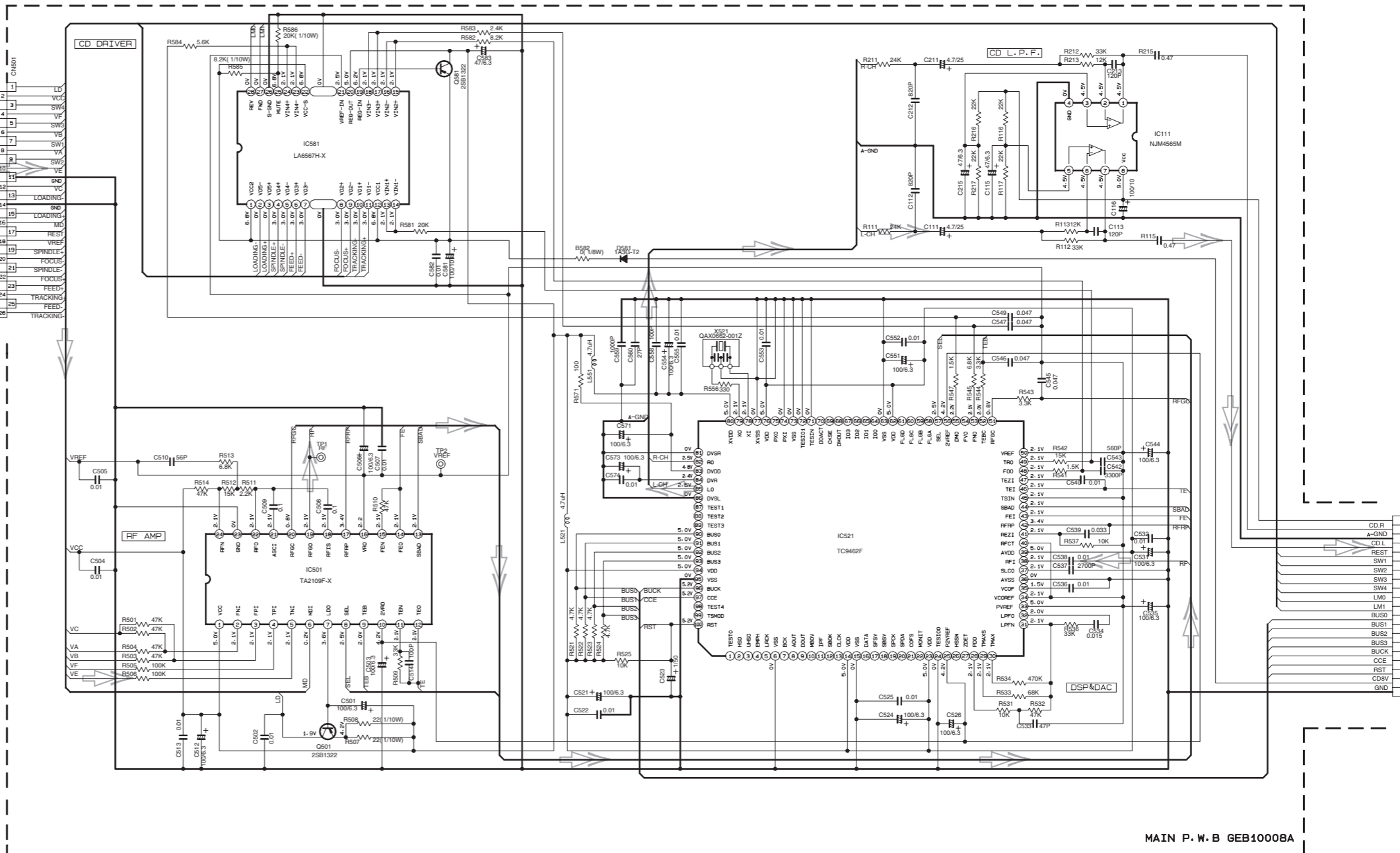
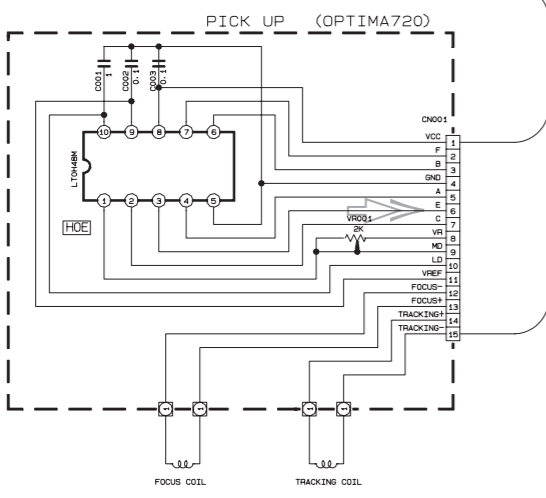
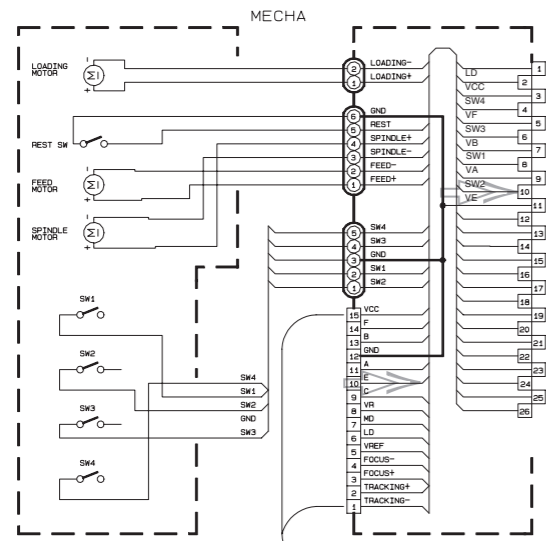
5

4

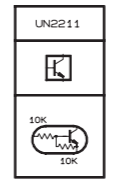
3

2

1



- NOTES
- VOLTAGES ARE DC-MEASURED WITH A DIGITAL VOLT METER WITHOUT INPUT SIGNAL CONDITION---CD MODE.
 - UNLESS OTHERWISE SPECIFIED.
ALL RESISTORS ARE 1/10W 15% METAL GLAZE RESISTOR.
ALL CAPACITORS ARE 50V OR 25V OR 16V CERAMIC CAPACITOR
ALL RESISTANCE VALUES ARE IN OHM.
ALL CAPACITANCE VALUES ARE IN UF(P=PF)
ALL E-CAPACITORS ARE SHOWN IN THE FORM OF CAPACITANCE(UF)/RATED VOLTAGE(V)
T --- T.S.E CAPACITOR



➡ CD SIGNAL

A

B

C

D

E

F

G

■ LCD & Key switch section

NOTES

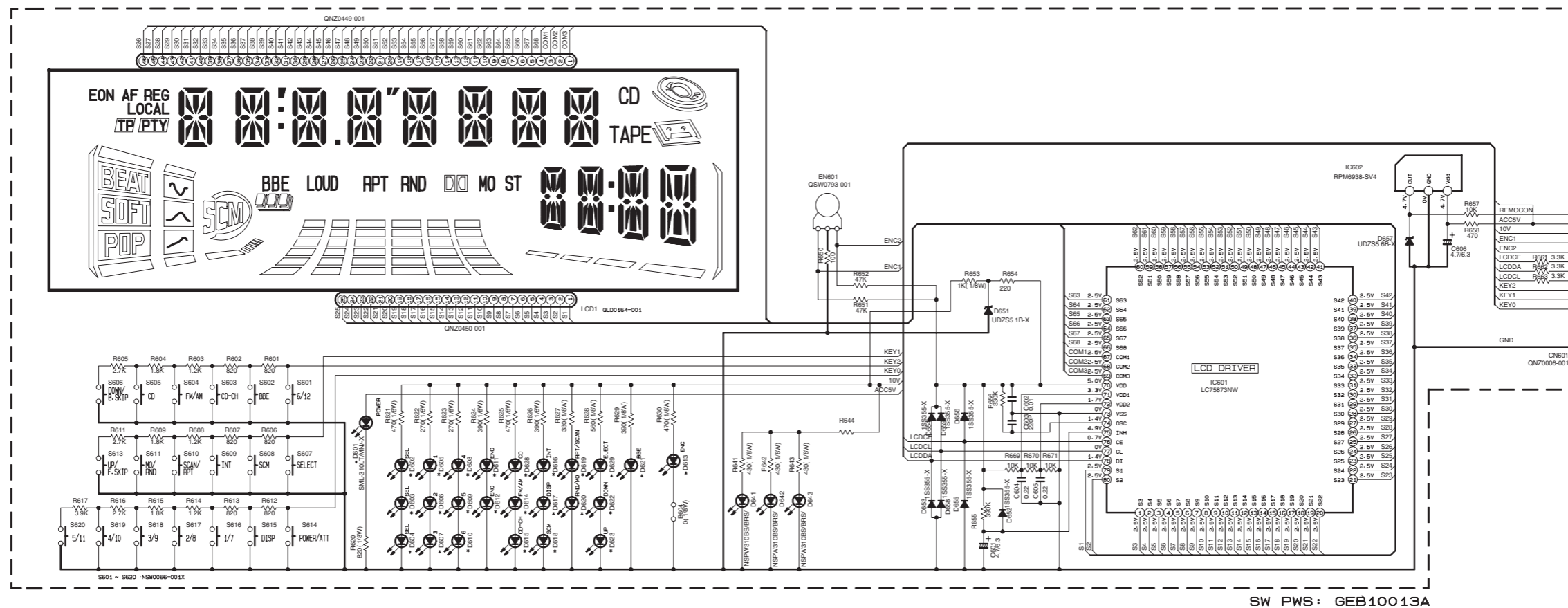
- 1. VOLTAGES ARE DC-MEASURED WITH A DIGITAL VOLT METER WITHOUT INPUT SIGNAL.
- 2. UNLESS OTHERWISE SPECIFIED, ALL RESISTORS ARE 1/4W 5% CARBON RESISTOR OR 1/4W, 1/10W 5% METAL GLAZE RESISTOR. ALL CAPACITORS ARE 50V CERAMIC CAPACITOR. ALL RESISTANCE VALUES ARE IN OHM (Ω). ALL CAPACITANCE VALUES ARE IN μF(P=PF). ALL E. CAPACITORS ARE SHOWN IN THE FORM OF CAPACITANCE(μF) / RATED VOLTAGE(V).

NOTE

- SML-310LT/MN/-X --- RED LED(POWER)
- SML-310VT/JK/-X --- RED LED(OTHERS)
- LNJ308GB1/1-3/-X --- GREEN LED

*REMARK

D601	SML-310LT/MN/-X
D602 - D620 D622 - D623 D628 - D629	SML-310VT/JK/-X
D621	LNJ308GB1/1-3/-X



SW PWS: GEB10013A

5

4

3

2

1

A

B

C

2-4 D

E

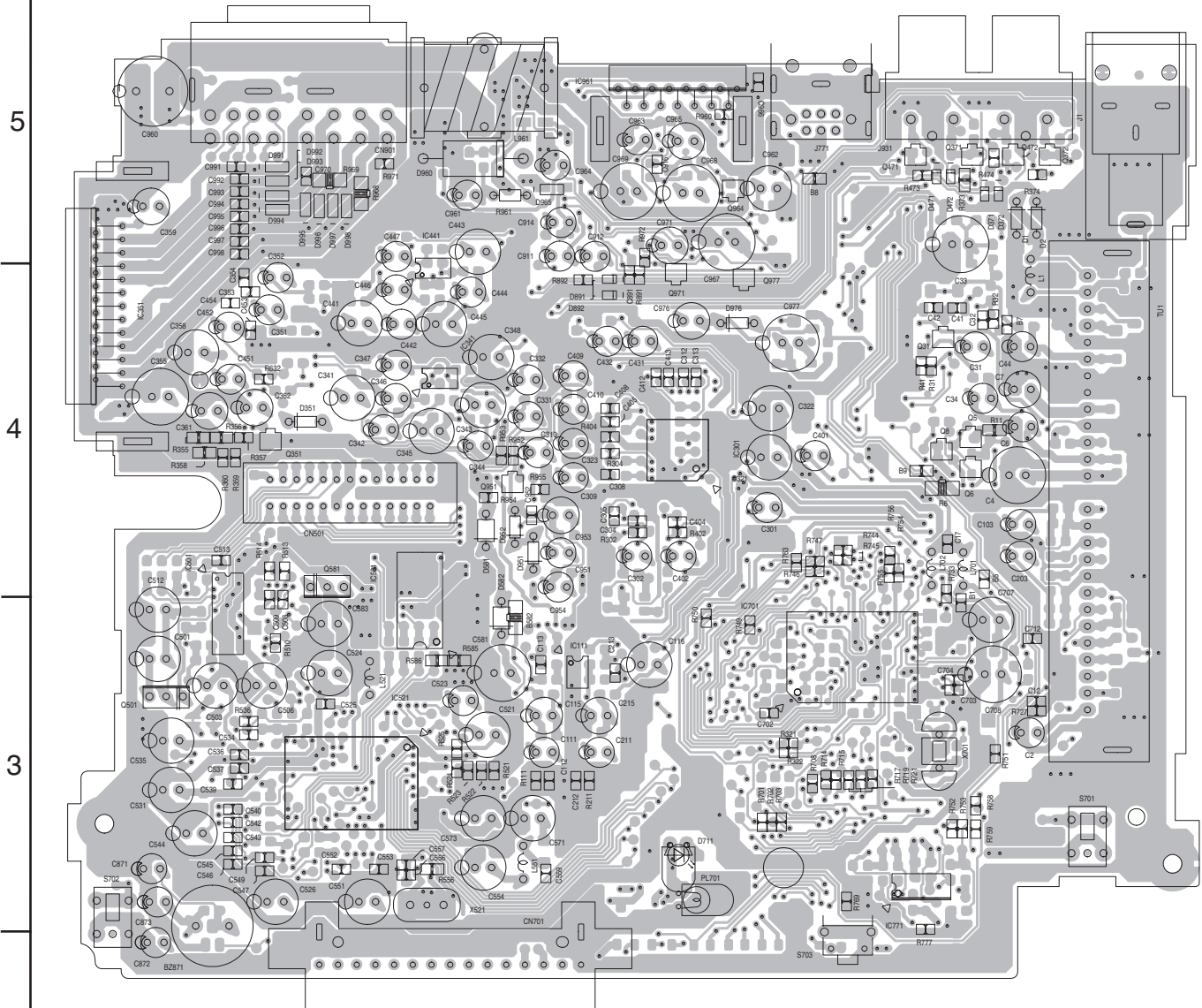
F

G

Printed circuit boards

■ Main board

(Forward side)



5

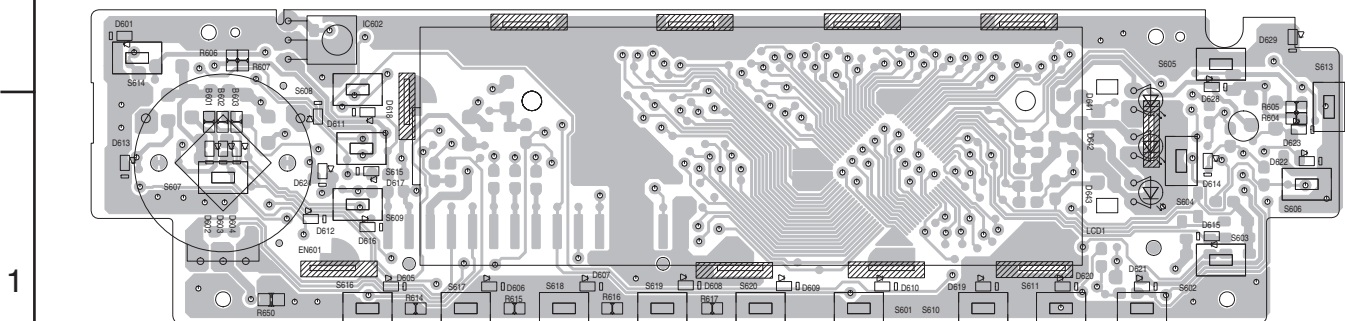
4

3

2

■ Front board

(Forward side)



1

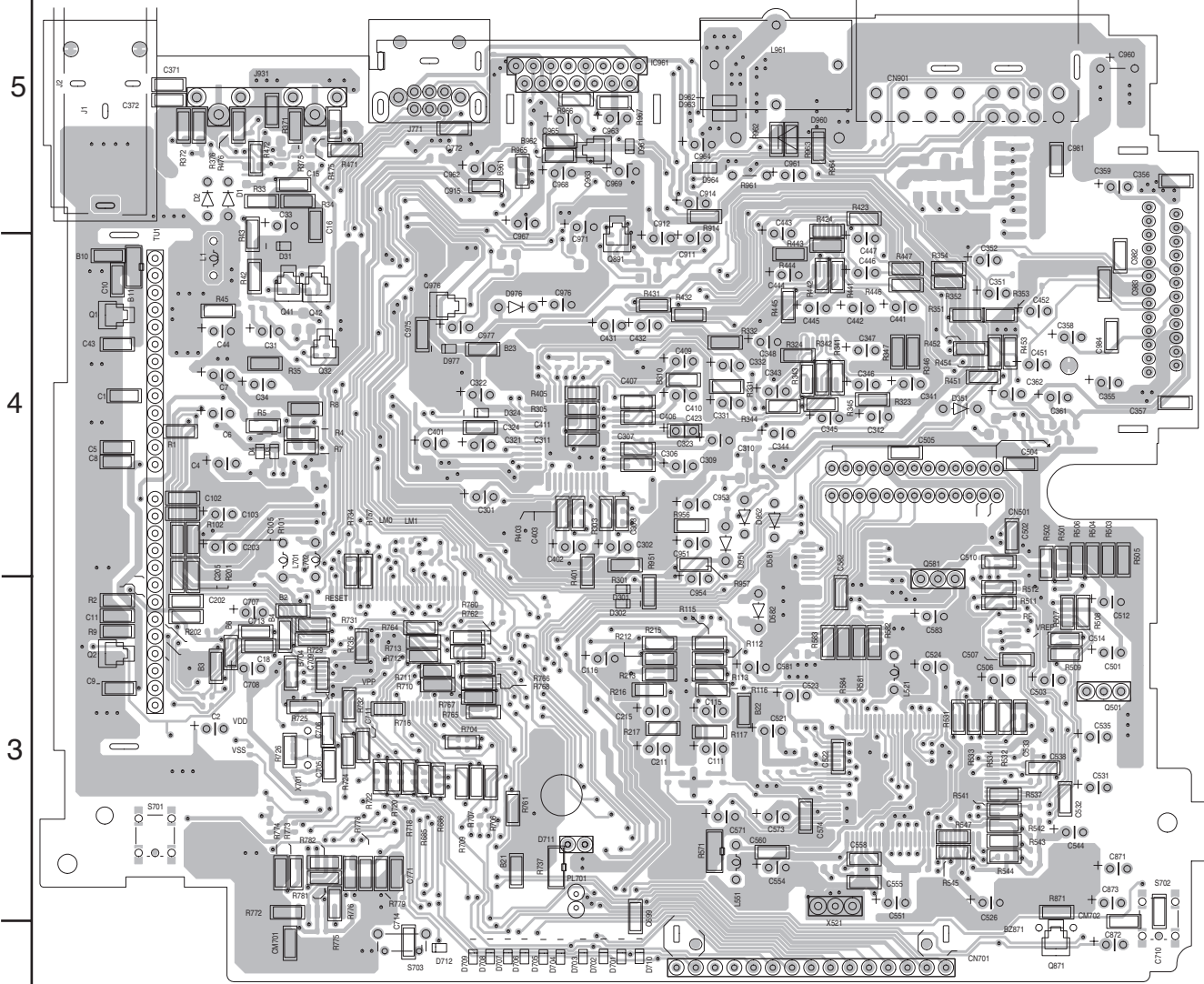
A

B

C

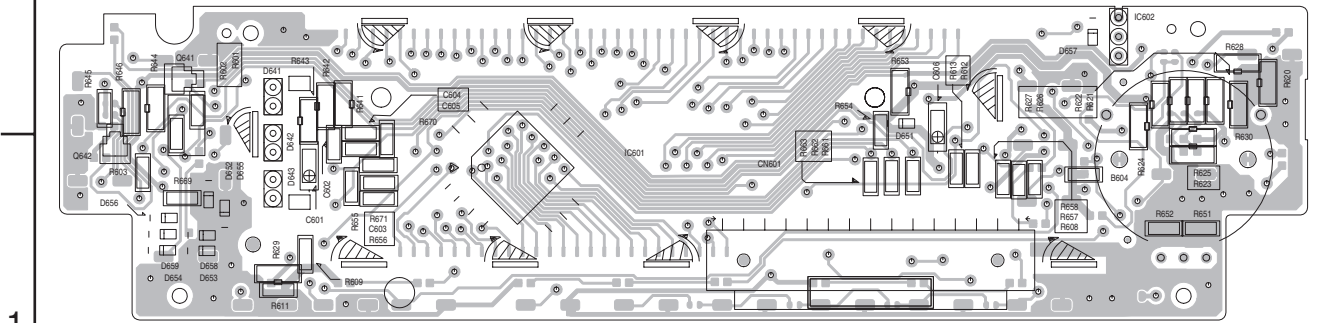
■ Main board

(Reverse side)



■ Front board

(Reverse side)



< MEMO >

JVC

VICTOR COMPANY OF JAPAN, LIMITED

MOBILE ELECTRONICS DIVISION

PERSONAL & MOBILE NETWORK BUSINESS UNIT. 10-1, 1Chome, Ohwatari-machi, Maebashi-city, 371-8543, Japan

PARTS LIST

[KD-SX883]

* All printed circuit boards and its assemblies are not available as service parts.

Area suffix

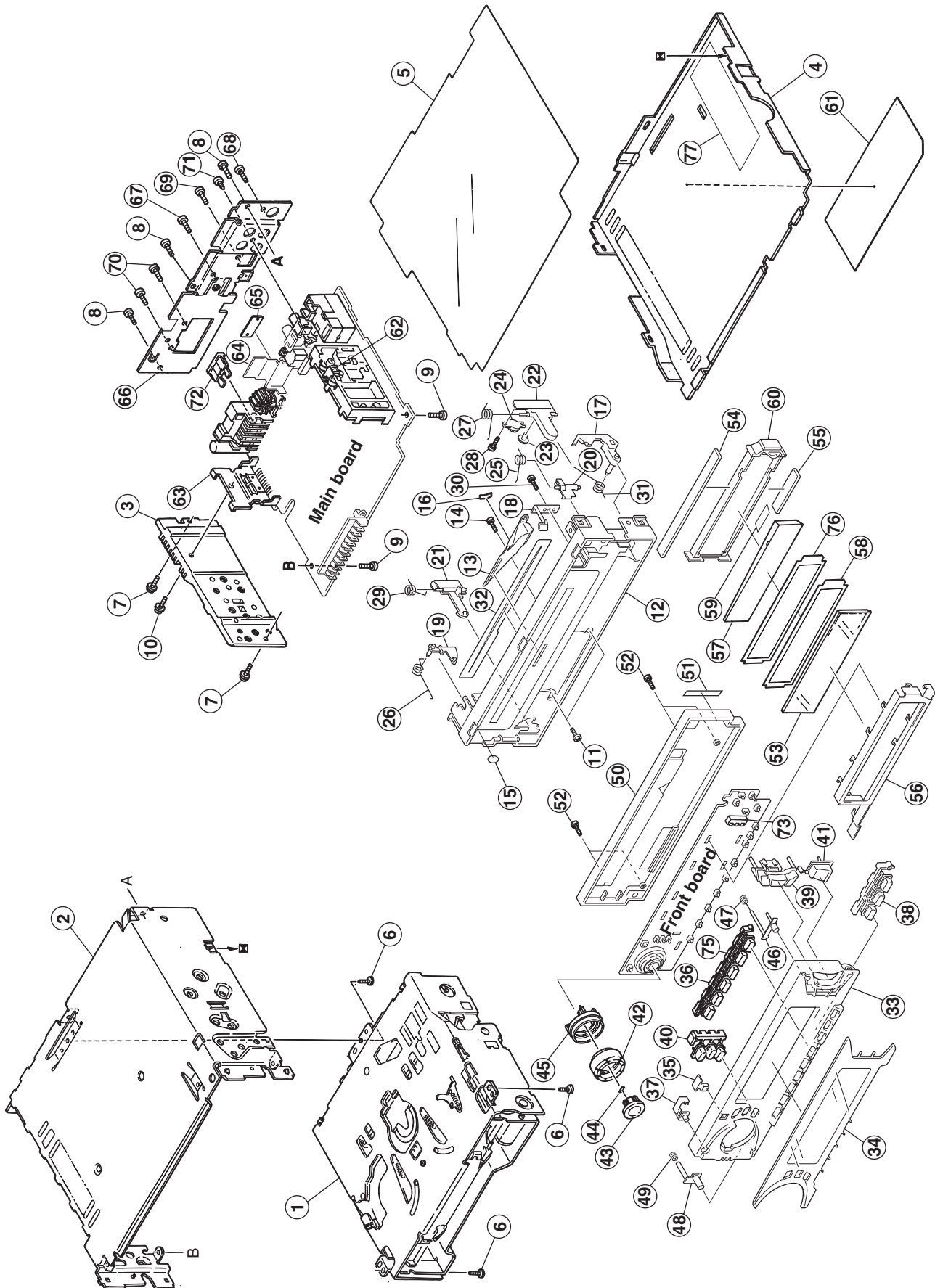
UF ----- China

- Contents -

Exploded view of general assembly and parts list (Block No.M1)	3- 2
CD mechanism assembly and parts list (Block No.MB)	3- 5
Electrical parts list (Block No.01~02)	3- 8
Packing materials and accessories parts list (Block No.M3,M5)	3-14

Exploded view of general assembly and parts list

Block No. M 1 M M



■ Parts list (General assembly)

Block No. M1MM

△	Item	Parts number	Parts name	Q'ty	Description	Area
	1	-----	CD MECHA	1		
	2	FSJC1029-401	TOP CHASSIS	1		
	3	FSMH3001-204	HEAT SINK	1		
	4	FSKM3011-002SSF	BOTTOM COVER	1		
	5	FSMA3005-001	INSULATOR	1		
	6	QYSDST2604Z	SCREW	3	CHASSIS+CD MECHA	
	7	FSKZ4005-001	SCREW	2	CHASSIS+SIDE PANEL	
	8	QYSDST2604Z	SCREW	3	CHASSIS+REAR BKT	
	9	QYSDST2606Z	SCREW	2	CHASSIS+MAIN PWB	
	10	FSKZ4005-001	SCREW	1	SIDE PANEL+IC BKT	
	11	QYSDSF2006M	SCREW	2	F.CHASSIS+CONNECTOR	
	12	FSJC1061-002	FRONT CHASSIS	1	W/ RESET HOLE	
	13	VJK3709-002	LIGHT LENS	1		
	14	VKZ4777-001	MINI SCREW	1	L.LENS+F.CHASSIS	
	15	FSYH4036-057	SHEET	1		
	16	FSYH4036-055	SHEET	1	LIGHT LENS	
	17	FSKS3014-001	OPEN LEVER	1		
	18	FSKS3015-001	LOCK LEVER(O.L)	1		
	19	VKS3798-002	RELEASE LEVER	1		
	20	VKS3793-001	LOCK LEVER(TOP)	1		
	21	VKS3794-003	LOCK LEVER(L)	1		
	22	VKS3795-002	LOCK LEVER(R)	1		
	23	VKS5563-001	GEAR	1		
	24	VKZ4786-002	OIL DAMPER	1		
	25	FSKW4012-001	T.SPRING	1	LOCK LEVER(TOP)	
	26	VKW5264-005	T.SPRING	1	RELEASE LEVER	
	27	VKW5262-001	T.SPRING	1	LOCK LEVER(R)	
	28	QYSDSF2006M	SCREW	1	DAMPER+L.LEVER(R)	
	29	VKW5263-002	T.SPRING	1	LOCK LEVER(L)	
	30	VKZ4777-001	MINI SCREW	1	LOCK LEVER(O.L)	
	31	FSKW4013-002	T.SPRING	1	OPEN LEVER	
	32	VYTA526-002	BLIND	1		
	33	GE10005-006B	FRONT PANEL	1		
	34	GE30113-017B	FINDER ASSY	1		
	35	FSJK4009-001	REMOTE LENS	1	REMOTE CON.	
	36	GE20104-002A	PRESET BUTTON	1	1-6 (2 COLOUR)	
	37	GE30105-002B	POWER BUTTON	1		
	38	GE30106-004A	SND FUNC BTN	1	RPT,RND,BBE	
	39	GE20110-003C	D.FUNC BUTTON	1	CD,F/A,CD-CH	
	40	GE20103-001A	PUSH BUTTON(3)	1		
	41	GE20109-001C	UP DOWN BUTTON	1		
	42	GE30546-002A	KNOB	1	JOG DIAL	
	43	GE30366-001A	SEL BUTTON	1		
	44	FSYH4036-032	SHEET	1	SEL BUTTON	
	45	GE30104-001A	RIM LENS	1	KNOB	
	46	GE30115-002A	EJECT BUTTON	1		
	47	VKW3001-330	COMP.SPRING	1	EJECT BUTTON	
	48	GE30116-001A	DETACH BUTTON	1		

■ Parts list (General assembly)

Block No. M1MM

△	Item	Parts number	Parts name	Q'ty	Description	Area
	49	VKW3001-330	COMP.SPRING	1	DETACH BUTTON	
	50	GE10006-001B	REAR COVER	1		
	51	FSYH4036-035	SHEET	1	REAR COVER	
	52	VKZ4777-001	MINI SCREW	4	FRONT PANEL+REAR COVER	
	53	QLD0164-001	LCD MODULE	1		
	54	QNZ0449-001	RUBBER CONNE	1		
	55	QNZ0450-001	RUBBER CONNE	1		
	56	GE30114-001A	LCD CASE	1		
	57	FSJK3028-001	LCD LENS	1		
	58	FSYH4061-001	LIGHTNG SHEET	1		
	59	FSYH4036-087	SHEET	1		
	60	FSKS3013-001	LENS CASE	1		
	61	GE30847-001A	NAME PLATE	1		
	62	VMA4652-001SS	EARTH PLATE	1		
	63	FSKL4024-001	IC BRACKET	1		
	64	GE40103-002A	REG BRACKET	1		
	65	GE40104-001B	HEAT SINK	1		
	66	FSKM3010-017SSF	REAR BRACKET	1		
	67	QYSDST2606Z	SCREW	1	REAR BKT+REG BKT	
	68	QYSDST2606Z	SCREW	1	REAR BKT+ANT JACK	
	69	QYSDST2606Z	SCREW	1	REAR BKT+CD IN	
	70	QYSDST2606Z	SCREW	2	REAR BKT+16P CO	
	71	QYSDSF3006Z	SCREW	1	REAR BKT+PIN JACK	
△	72	QMFZ047-150-T	FUSE	1		
	73	FSKS3017-002	LED HOLDER	1		
	75	FSYH4036-031	SHEET	1	PRESET BUTTON	
	76	FSYH4061-002	LIGHTNG SHEET	1		
	77	LV41843-001A	LASER CAUTION	1	CD MECHA	

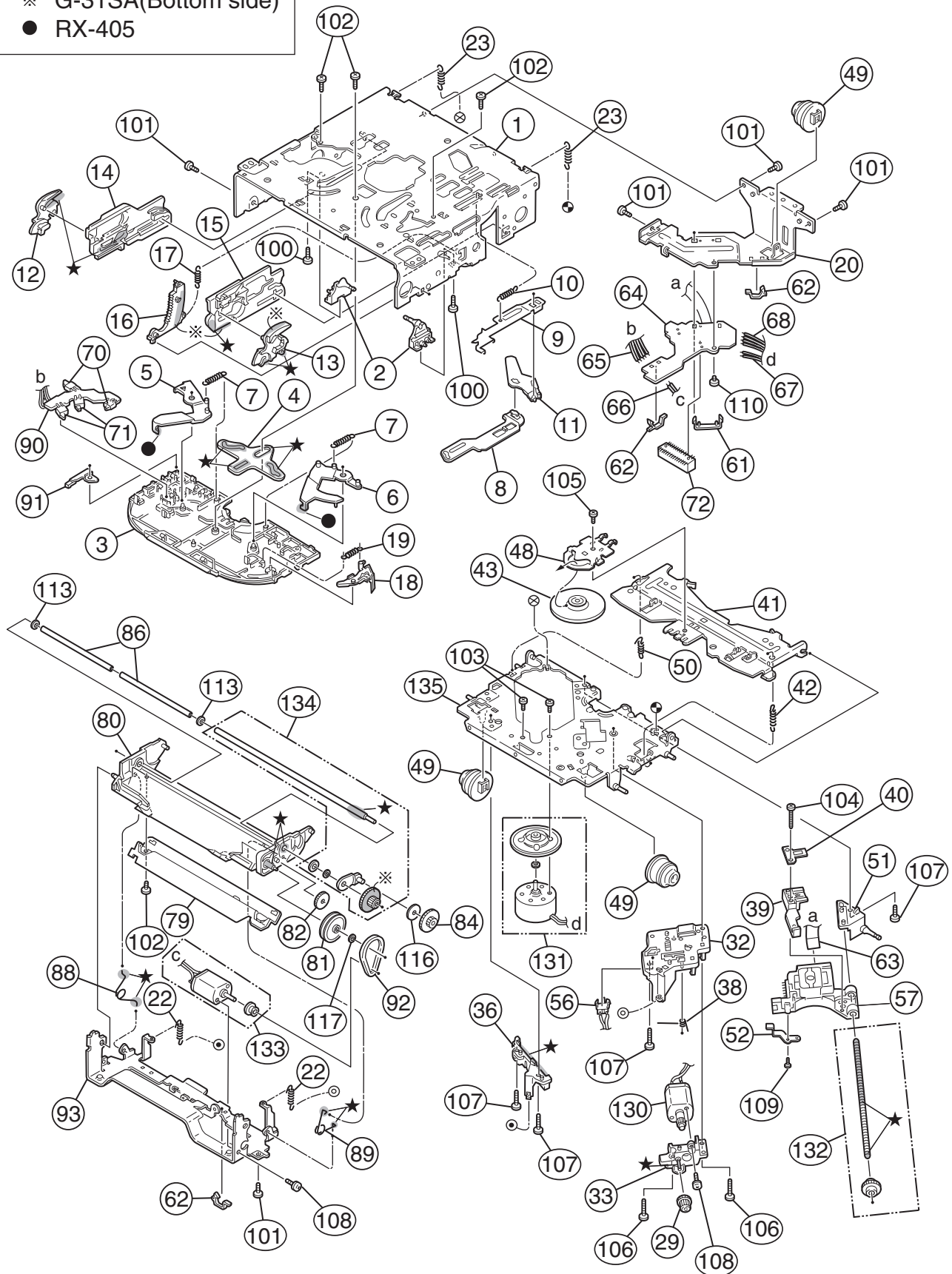
CD mechanism assembly and parts list

Grease

- ★ G-31SA
- ※ G-31SA(Bottom side)
- RX-405

TN-CCD1001Z-136J

Block No. M B M M



■ Parts list (CD mechanism)

Block No. MBMM

△	Item	Parts number	Parts name	Q'ty	Description	Area
	1	30310101T	FRAME	1		
	2	30310103T	DANPER PIN	2		
	3	30310107T	UPPER PLATE	1		
	4	30310108T	SEL STOP PLATE	1		
	5	30310142T	SEL ARM (L)L	1		
	6	30310143T	SEL ARM (R)L	1		
	7	30310145T	S ARM SPRING(L)	2		
	8	30310112T	TRIG LEVER	1		
	9	30310155T	TRIG PL(Z)	1		
	10	30310115T	TRIG PL SPRING	1		
	11	30310116T	TRIG ARM	1		
	12	30310134T	FIX ARM (L)B	1		
	13	30310159T	FIX ARM (R)Z	1		
	14	30310150T	FIX PL (L)Z	1		
	15	30310156T	FIX PL (R) Z	1		
	16	30310138T	LDG GR (6)B	1		
	17	30310122T	LDG GEAR (6)SP	1		
	18	30310148T	S.L ARM(N)	1		
	19	30310125T	S.L ARM SPRING	1		
	20	30310149T	REAR DAM BKT(Z)	1		
	22	30310151T	HUNG UP SP (FZ)	2		
	23	30310129T	HUNG UP SP (R)	2		
	29	30300510T	PU GEAR(B)	1		
	32	30310544T	F.M.BASE(Z)	1		
	33	30310547T	FD GR BLK(Z)	1		
	36	30310546T	PU GUIDE(Z)	1		
	38	30310533T	THRUST SPR(M)	1		
	39	30310548T	PU M NUT(Z)	1		
	40	30310512T	NUT PUSH SPR PL	1		
	41	30310558T	CLP ARM(Z)	1		
	42	30310514T	CLP ARM SPRING	1		
	43	30310552T	CLAMPER(Z)	1		
	48	30310557T	CLAMPER PLATE(Z)	1		
	49	30310524T	DAMPER (J)	3		
	50	30310525T	CLP ARM SPR (L)	1		
	51	30310545T	F SCREW GUIDE(Z)	1		
	52	30310556T	PU G.SP PLT(Z)	1		
	56	64180405T	DET SW	1	ESE11SF4	
	57	OPTIMA-720L1	C.D PICK (CAR)	1		
	61	30311035T	FPC HOLDER(Z)	1		
	62	19501403T	WIRE CLAMPER	3		
	63	30311037T	PICK UP FPC(Z)	1		
	64	30311036T	CONNECT.PCB(Z-J)	1		
	65	30311038T	WIRE (5P-Z)	1		
	66	30311039T	WIRE (LD-Z)	1		
	67	30311040T	WIRE (FD-Z)	1		
	68	30311041T	WIRE (RS-Z)	1		
	70	64180402T	DET SWITCH	2	ESE22MH1	

Parts list (CD mechanism)

Block No. MBMM

△	Item	Parts number	Parts name	Q'ty	Description	Area
	71	64180403T	DET SWITCH	2	ESE22MH3	
	72	68150242T	CONNECTOR	1	TKC-W26X-A1	
	79	30311105T	SOPPORT PLATE	1		
	80	30311138T	GR MT BLK(N)	1		
	81	30311109T	LDG GEAR (2)	1		
	82	30311110T	LDG GEAR (3)	1		
	84	30311112T	LDG GEAR (5)	1		
	86	30311136T	LDG ROLLER	2		
	88	30311118T	L.P SPRING (L)	1		
	89	30311119T	L.P SPRING (R)	1		
	90	30311123T	SW PCB	1		
	91	30311124T	SW ACTUATOR	1		
	92	30311129T	LDG BELT	1		
	93	30311140T	FRONT BRKT (J)	1		
	100	9C0620503T	C B TAP SCREW	2	M2X5	
	101	9C2020401T	C SCREW TS.G	5	M2X4	
	102	9C4320403T	C B TAP SCREW	4	M2X4	
	103	9C0117223T	SCREW	2	M1.7X2.2	
	104	9C0917703T	C TAP SCREW S3	1	M1.7X7	
	105	9C0320201T	C TAP SCREW S3	1	M2X2	
	106	9C4920013T	C TAP SCREW S3	2	M2X10	
	107	9C4920603T	C TAP SCREW B3	4	M2X6	
	108	9P0220031T	TAMS SCREW	2	M2X3	
	109	9C0314203T	C TAP SCREW	1	M1.4X2	
	110	9C0420253	C TAP SCREW	1	M2X2.5	
	113	9W0330276	NW BLUE	2	2.9X5X0.3	
	116	9W0725030T	LUMILAR W	1	2.3X9.8X0.25	
	117	9W0640030T	WASHER	1	1.4X3.2X0.4	
	130	303105310T	FEED MO ASSY	1		
	131	303105311T	SPINDLE MO ASSY	1		
	132	303105312T	FEED SCREW ASSY	1		
	133	303111301T	LDG MOTOR ASSY	1		
	134	303111302T	RDG RLR SFT ASY	1		
	135	303105502T	T.T.BASE ASSY	1		

■ Electrical parts list (Main board)

Block No. 01

△	Item	Parts number	Parts name	Remarks	Area
	BZ871	QAN0023-001Z	BUZZER		
	C 1	NCB31EK-473X	C CAPACITOR		
	C 2	QERF1HM-104Z	E CAPACITOR	.10MF 20% 50V	
	C 4	QERF1AM-227Z	E CAPACITOR	220MF 20% 10V	
	C 5	NCB31HK-103X	C CAPACITOR		
	C 6	QEKJ1CM-106Z	E CAPACITOR	10MF 20% 16V	
	C 7	QEKJ1CM-226Z	E CAPACITOR	22MF 20% 16V	
	C 11	NCS31HJ-331X	C CAPACITOR		
	C 12	NCB31EK-103X	C CAPACITOR		
	C 15	NDC31HJ-120X	C CAPACITOR		
	C 16	NCS31HJ-7R0X	C CAPACITOR		
	C 17	NCS31HJ-121X	C CAPACITOR		
	C 31	QERF1HM-225Z	E CAPACITOR	2.2MF 20% 50V	
	C 32	NCB31HK-102X	C CAPACITOR		
	C 33	QERF1AM-227Z	E CAPACITOR	220MF 20% 10V	
	C 34	QERF1HM-224Z	E CAPACITOR	.22MF 20% 50V	
	C 41	NCB31EK-563X	C CAPACITOR		
	C 42	NCB31HK-123X	C CAPACITOR		
	C 43	NCS31HJ-151X	C CAPACITOR		
	C 103	QERF1HM-105Z	E CAPACITOR	1.0MF 20% 50V	
	C 105	NCB31HK-223X	C CAPACITOR		
	C 111	QEKJ1EM-475Z	E CAPACITOR	4.7MF 20% 25V	
	C 112	NCS31HJ-821X	C CAPACITOR		
	C 113	NCS31HJ-121X	C CAPACITOR		
	C 115	QEKJ0JM-476Z	E CAPACITOR	47MF 20% 6.3V	
	C 116	QEKJ1AM-107Z	E CAPACITOR	100MF 20% 10V	
	C 203	QERF1HM-105Z	E CAPACITOR	1.0MF 20% 50V	
	C 205	NCB31HK-223X	C CAPACITOR		
	C 211	QEKJ1EM-475Z	E CAPACITOR	4.7MF 20% 25V	
	C 212	NCS31HJ-821X	C CAPACITOR		
	C 213	NCS31HJ-121X	C CAPACITOR		
	C 215	QEKJ0JM-476Z	E CAPACITOR	47MF 20% 6.3V	
	C 301	QERF1EM-475Z	E CAPACITOR	4.7MF 20% 25V	
	C 302	QERF1CM-106Z	E CAPACITOR	10MF 20% 16V	
	C 303	NCS31HJ-471X	C CAPACITOR		
	C 304	NCB31EK-104X	C CAPACITOR		
	C 305	NCB31HK-103X	C CAPACITOR		
	C 306	NCB31CK-104X	C CAPACITOR		
	C 307	NCB31HK-472X	C CAPACITOR		
	C 308	NCS31HJ-471X	C CAPACITOR		
	C 309	QERF1CM-106Z	E CAPACITOR	10MF 20% 16V	
	C 310	QERF1EM-475Z	E CAPACITOR	4.7MF 20% 25V	
	C 311	NCB31EK-472X	C CAPACITOR		
	C 312	NCB31AK-224X	C CAPACITOR		
	C 313	NCB31AK-224X	C CAPACITOR		
	C 321	QERF1CM-476Z	E CAPACITOR	47MF 20% 16V	
	C 322	QERF1AM-107Z	E CAPACITOR	100MF 20% 10V	
	C 323	QERF1HM-104Z	E CAPACITOR	.10MF 20% 50V	
	C 346	QERF1HM-225Z	E CAPACITOR	2.2MF 20% 50V	
	C 347	QERF1HM-225Z	E CAPACITOR	2.2MF 20% 50V	
	C 351	QERF1HM-225Z	E CAPACITOR	2.2MF 20% 50V	
	C 352	QERF1HM-225Z	E CAPACITOR	2.2MF 20% 50V	
	C 353	NCS31HJ-391X	C CAPACITOR		
	C 354	NCS31HJ-391X	C CAPACITOR		
	C 355	QERF1CM-107Z	E CAPACITOR	100MF 20% 16V	
	C 356	NCB31HK-223X	C CAPACITOR		
	C 357	NCB31HK-223X	C CAPACITOR		
	C 358	QERF1CM-476Z	E CAPACITOR	47MF 20% 16V	
	C 359	QERF1CM-226Z	E CAPACITOR	22MF 20% 16V	
	C 361	QEKJ1EM-475Z	E CAPACITOR	4.7MF 20% 25V	
	C 362	QEKJ1EM-475Z	E CAPACITOR	4.7MF 20% 25V	
	C 372	NCS31HJ-271X	C CAPACITOR		
	C 401	QERF1EM-475Z	E CAPACITOR	4.7MF 20% 25V	
	C 402	QERF1CM-106Z	E CAPACITOR	10MF 20% 16V	
	C 403	NCS31HJ-471X	C CAPACITOR		
	C 404	NCB31EK-104X	C CAPACITOR		

△	Item	Parts number	Parts name	Remarks	Area
	C 405	NCB31HK-103X	C CAPACITOR		
	C 406	NCB31CK-104X	C CAPACITOR		
	C 407	NCB31HK-472X	C CAPACITOR		
	C 408	NCS31HJ-471X	C CAPACITOR		
	C 409	QERF1CM-106Z	E CAPACITOR	10MF 20% 16V	
	C 411	NCB31EK-472X	C CAPACITOR		
	C 412	NCB31AK-224X	C CAPACITOR		
	C 413	NCB31AK-224X	C CAPACITOR		
	C 446	QERF1HM-225Z	E CAPACITOR	2.2MF 20% 50V	
	C 447	QERF1HM-225Z	E CAPACITOR	2.2MF 20% 50V	
	C 451	QERF1HM-225Z	E CAPACITOR	2.2MF 20% 50V	
	C 452	QERF1HM-225Z	E CAPACITOR	2.2MF 20% 50V	
	C 453	NCS31HJ-391X	C CAPACITOR		
	C 454	NCS31HJ-391X	C CAPACITOR		
	C 501	QERF0JM-107Z	E CAPACITOR	100MF 20% 6.3V	
	C 502	NCB31HK-103X	C CAPACITOR		
	C 503	QERF0JM-107Z	E CAPACITOR	100MF 20% 6.3V	
	C 504	NCB31HK-103X	C CAPACITOR		
	C 505	NCB31HK-103X	C CAPACITOR		
	C 506	QERF0JM-107Z	E CAPACITOR	100MF 20% 6.3V	
	C 507	NCB31HK-103X	C CAPACITOR		
	C 508	NCB31EK-104X	C CAPACITOR		
	C 509	NCB31EK-104X	C CAPACITOR		
	C 510	NCS31HJ-560X	C CAPACITOR		
	C 512	QERF0JM-107Z	E CAPACITOR	100MF 20% 6.3V	
	C 513	NCB31HK-103X	C CAPACITOR		
	C 514	NCS31HJ-101X	C CAPACITOR		
	C 521	QEKJ0JM-107Z	E CAPACITOR	100MF 20% 6.3V	
	C 522	NCB31HK-103X	C CAPACITOR		
	C 523	QEKJ1HM-105Z	E CAPACITOR	1.0MF 20% 50V	
	C 524	QEKJ0JM-107Z	E CAPACITOR	100MF 20% 6.3V	
	C 525	NCB31HK-103X	C CAPACITOR		
	C 526	QEKJ0JM-107Z	E CAPACITOR	100MF 20% 6.3V	
	C 531	QERF0JM-107Z	E CAPACITOR	100MF 20% 6.3V	
	C 532	NCB31HK-103X	C CAPACITOR		
	C 533	NCS31HJ-470X	C CAPACITOR		
	C 534	NCB31HK-153X	C CAPACITOR		
	C 535	QERF0JM-107Z	E CAPACITOR	100MF 20% 6.3V	
	C 536	NCB31HK-103X	C CAPACITOR		
	C 537	NCB31HK-272X	C CAPACITOR		
	C 538	NCB31HK-103X	C CAPACITOR		
	C 539	NCB31EK-333X	C CAPACITOR		
	C 540	NCB31HK-103X	C CAPACITOR		
	C 542	NCB31HK-332X	C CAPACITOR		
	C 543	NCS31HJ-561X	C CAPACITOR		
	C 544	QERF0JM-107Z	E CAPACITOR	100MF 20% 6.3V	
	C 545	NCB31EK-473X	C CAPACITOR		
	C 546	NCB31EK-473X	C CAPACITOR		
	C 547	NCB31EK-473X	C CAPACITOR		
	C 549	NCB31EK-473X	C CAPACITOR		
	C 551	QEKJ0JM-107Z	E CAPACITOR	100MF 20% 6.3V	
	C 552	NCB31HK-103X	C CAPACITOR		
	C 553	NCB31HK-103X	C CAPACITOR		
	C 554	QEKJ0JM-107Z	E CAPACITOR	100MF 20% 6.3V	
	C 555	NCB31HK-103X	C CAPACITOR		
	C 558	NCS31HJ-101X	C CAPACITOR		
	C 559	NCS31EJ-102X	C CAPACITOR		
	C 560	NCS31HJ-270X	C CAPACITOR		
	C 571	QEKJ0JM-107Z	E CAPACITOR	100MF 20% 6.3V	
	C 573	QEKJ0JM-107Z	E CAPACITOR	100MF 20% 6.3V	
	C 574	NCB31HK-103X	C CAPACITOR		
	C 581	QERF1AM-107Z	E CAPACITOR	100MF 20% 10V	
	C 582	NCB31HK-103X	C CAPACITOR		
	C 583	QERF0JM-476Z	E CAPACITOR	47MF 20% 6.3V	
	C 699	NCB31EK-104X	C CAPACITOR		
	C 702	NCB31EK-104X	C CAPACITOR		

■ Electrical parts list (Main board)

Block No. 01

△	Item	Parts number	Parts name	Remarks	Area	△	Item	Parts number	Parts name	Remarks	Area
	C 703	NCB31EK-104X	C CAPACITOR				D 704	UDZS5.6B-X	Z DIODE		
	C 705	NDC31HJ-220X	C CAPACITOR				D 705	UDZS5.6B-X	Z DIODE		
	C 706	NDC31HJ-220X	C CAPACITOR				D 706	UDZS5.6B-X	Z DIODE		
	C 707	QEKJ0JM-227Z	E CAPACITOR	220MF 20% 6.3V			D 707	UDZS5.6B-X	Z DIODE		
	C 708	QERF1AM-227Z	E CAPACITOR	220MF 20% 10V			D 708	UDZS5.6B-X	Z DIODE		
	C 709	NCB31EK-473X	C CAPACITOR				D 709	UDZS5.6B-X	Z DIODE		
	C 710	NCB31EK-104X	C CAPACITOR				D 710	UDZS5.6B-X	Z DIODE		
	C 711	NCB31EK-473X	C CAPACITOR				D 891	1SS355-X	DIODE		
	C 712	NCB31EK-103X	C CAPACITOR				D 892	1SS355-X	DIODE		
	C 713	NCB31EK-103X	C CAPACITOR				D 951	1SS133-T1	SI DIODE		
	C 714	NCB31HK-103X	C CAPACITOR				D 952	1SS133-T1	SI DIODE		
	C 771	NCB31EK-473X	C CAPACITOR				D 960	1N5401-TU-15	DIODE		
	C 772	NCB31HK-103X	C CAPACITOR				D 961	1SS355-X	DIODE		
	C 872	QERF1HM-104Z	E CAPACITOR	.10MF 20% 50V			D 962	RB160M-30-X	SB DIODE		
	C 873	QERF1EM-475Z	E CAPACITOR	4.7MF 20% 25V			D 963	RB160M-30-X	SB DIODE		
	C 891	NCB31EK-473X	C CAPACITOR				D 976	1SS133-T1	SI DIODE		
	C 914	QERF1CM-106Z	E CAPACITOR	10MF 20% 16V			D 977	UDZS11B-X	Z DIODE		
	C 951	QERF1HM-105Z	E CAPACITOR	1.0MF 20% 50V			IC111	NJM4565M-WE	IC		
	C 952	NCB31EK-473X	C CAPACITOR				IC301	BD3860K	IC		
	C 953	QERF1CM-226Z	E CAPACITOR	22MF 20% 16V			IC351	LA4743K	IC		
	C 954	QEKJ1HM-224Z	E CAPACITOR	.22MF 20% 50V			IC501	TA2109F-X	IC		
	C 960	QEZ0518-228	E CAPACITOR	2200MF			IC521	TC9462F	IC		
	C 961	QERF1HM-225Z	E CAPACITOR	2.2MF 20% 50V			IC581	LA6567H-X	IC		
	C 962	QERF1CM-476Z	E CAPACITOR	47MF 20% 16V			IC701	UPD178078GF-543	IC(MCU)		
	C 963	QERF1CM-106Z	E CAPACITOR	10MF 20% 16V			IC771	HD74HC126FP-X	IC		
	C 964	QERF1CM-106Z	E CAPACITOR	10MF 20% 16V			IC961	HA13164A	IC		
	C 965	QERF1CM-226Z	E CAPACITOR	22MF 20% 16V			J 1	QNB0100-002	ANT TERMINAL		
	C 966	NCB31HK-103X	C CAPACITOR				J 771	QNZ0095-001	CONNECTOR		
	C 967	QERF1AM-227Z	E CAPACITOR	220MF 20% 10V			J 931	QNN0170-001	PIN JACK (REEL)		
	C 968	QERF1AM-227Z	E CAPACITOR	220MF 20% 10V			L 1	QQL244J-330Z	INDUCTOR		
	C 969	QERF1AM-227Z	E CAPACITOR	220MF 20% 10V			L 521	QQL244J-4R7Z	INDUCTOR		
	C 970	NCB31EK-104X	C CAPACITOR				L 551	QQL244J-4R7Z	INDUCTOR		
	C 975	NCB31EK-103X	C CAPACITOR				L 701	QQL244J-4R7Z	INDUCTOR		
	C 976	QERF0JM-476Z	E CAPACITOR	47MF 20% 6.3V			L 702	QQL244J-4R7Z	INDUCTOR		
	C 977	QERF1CM-107Z	E CAPACITOR	100MF 20% 16V			L 961	QQR0703-001	CHOKE COIL		
	C 981	NCB31EK-104X	C CAPACITOR				PL701	QLL0033-003	LAMP		
	C 982	NCB31EK-104X	C CAPACITOR				Q 2	UN2211-X	TRANSISTOR		
	C 983	NCB31EK-104X	C CAPACITOR				Q 5	2SB709A/R/-X	TRANSISTOR		
	C 984	NCB31EK-104X	C CAPACITOR				Q 6	2SB1197K/QR/-X	TRANSISTOR		
	C 991	NCS31HJ-101X	C CAPACITOR				Q 8	UN2211-X	TRANSISTOR		
	C 992	NCS31HJ-101X	C CAPACITOR				Q 31	2SD601A/R/-X	TRANSISTOR		
	C 993	NCS31HJ-101X	C CAPACITOR				Q 32	2SD601A/R/-X	TRANSISTOR		
	C 994	NCS31HJ-101X	C CAPACITOR				Q 41	2SC3661-X	TRANSISTOR		
	C 995	NCS31HJ-101X	C CAPACITOR				Q 42	2SC3661-X	TRANSISTOR		
	C 996	NCS31HJ-101X	C CAPACITOR				Q 351	UN2211-X	TRANSISTOR		
	C 997	NCS31HJ-101X	C CAPACITOR				Q 372	2SD1781K/QR/-X	TRANSISTOR		
	C 998	NCS31HJ-101X	C CAPACITOR				Q 472	2SD1781K/QR/-X	TRANSISTOR		
	CM702	NRSA02J-0R0X	MG RESISTOR				Q 501	2SB1322/RS/-T	TRANSISTOR		
	CN501	QGB2027M1-26S	CONNECTOR				Q 581	2SB1322/RS/-T	TRANSISTOR		
	CN701	QNZ0007-002	CAR CONNECTOR				Q 871	UN2211-X	TRANSISTOR		
	CN901	QNZ0002-001	JACK UNIT				Q 891	UN2211-X	TRANSISTOR		
	D 1	1SS133-T1	SI DIODE				Q 951	2SD601A/R/-X	TRANSISTOR		
	D 2	1SS133-T1	SI DIODE				Q 963	2SB709A/R/-X	TRANSISTOR		
	D 3	1SS355-X	DIODE				Q 964	UN2211-X	TRANSISTOR		
	D 4	1SS355-X	DIODE				Q 976	UN2111-X	TRANSISTOR		
	D 31	UDZS10B-X	ZENER DIODE				Q 977	UN2111-X	TRANSISTOR		
	D 301	1SS355-X	DIODE				R 1	NRSA63J-0R0X	MG RESISTOR		
	D 302	1SS355-X	DIODE				R 2	NRSA63J-223X	MG RESISTOR		
	D 324	UDZS10B-X	ZENER DIODE				R 4	NRSA63J-103X	MG RESISTOR		
	D 351	1SS133-T1	SI DIODE				R 5	NRSA02J-222X	MG RESISTOR		
	D 372	1SS355-X	DIODE				R 6	NRS181J-8R2X	MG RESISTOR		
	D 472	1SS355-X	DIODE				R 7	NRSA63J-103X	MG RESISTOR		
	D 581	1A3G-T1	SI DIODE				R 8	NRSA63J-102X	MG RESISTOR		
	D 701	UDZS6.2B-X	SI DIODE				R 9	NRSA63J-473X	MG RESISTOR		
	D 702	UDZS6.2B-X	SI DIODE				R 11	NRSA02J-100X	MG RESISTOR		
	D 703	UDZS6.2B-X	SI DIODE				R 31	NRSA63J-152X	MG RESISTOR		

■ Electrical parts list (Main board)

Block No. 01

△	Item	Parts number	Parts name	Remarks	Area
	R 32	NRSA63J-102X	MG RESISTOR		
	R 33	NRSA02J-103X	MG RESISTOR		
	R 34	NRSA02J-471X	MG RESISTOR		
	R 35	NRSA63J-102X	MG RESISTOR		
	R 41	NRSA63J-102X	MG RESISTOR		
	R 42	NRSA63J-392X	MG RESISTOR		
	R 43	NRSA02J-102X	MG RESISTOR		
	R 45	NRSA63J-102X	MG RESISTOR		
	R 101	NRSA63J-122X	MG RESISTOR		
	R 102	NRSA63J-472X	MG RESISTOR		
	R 111	NRSA63J-243X	MG RESISTOR		
	R 112	NRSA63J-333X	MG RESISTOR		
	R 113	NRSA63J-123X	MG RESISTOR		
	R 115	NCB31AK-474X	C CAPACITOR		
	R 116	NRSA63J-223X	MG RESISTOR		
	R 117	NRSA63J-223X	MG RESISTOR		
	R 201	NRSA63J-122X	MG RESISTOR		
	R 202	NRSA63J-472X	MG RESISTOR		
	R 211	NRSA63J-243X	MG RESISTOR		
	R 212	NRSA63J-333X	MG RESISTOR		
	R 213	NRSA63J-123X	MG RESISTOR		
	R 215	NCB31AK-474X	C CAPACITOR		
	R 216	NRSA63J-223X	MG RESISTOR		
	R 217	NRSA63J-223X	MG RESISTOR		
	R 301	NRSA63J-224X	MG RESISTOR		
	R 302	NRSA63J-224X	MG RESISTOR		
	R 303	NRSA63J-682X	MG RESISTOR		
	R 304	NRSA63J-105X	MG RESISTOR		
	R 305	NRSA63J-332X	MG RESISTOR		
	R 321	NRSA63J-222X	MG RESISTOR		
	R 322	NRSA63J-222X	MG RESISTOR		
	R 323	NRSA63J-0R0X	MG RESISTOR		
	R 324	NRSA63J-0R0X	MG RESISTOR		
	R 346	NRSA63J-103X	MG RESISTOR		
	R 347	NRSA63J-103X	MG RESISTOR		
	R 351	NRSA63J-273X	MG RESISTOR		
	R 352	NRSA63J-273X	MG RESISTOR		
	R 356	NRSA02J-103X	MG RESISTOR		
	R 357	NRSA63J-0R0X	MG RESISTOR		
	R 358	NRSA02J-473X	MG RESISTOR		
	R 359	NRSA63J-0R0X	MG RESISTOR		
	R 360	NRSA63J-0R0X	MG RESISTOR		
	R 372	NRSA02J-821X	MG RESISTOR		
	R 374	NRSA63J-222X	MG RESISTOR		
	R 376	NRSA02J-101X	MG RESISTOR		
	R 401	NRSA63J-224X	MG RESISTOR		
	R 402	NRSA63J-224X	MG RESISTOR		
	R 403	NRSA63J-682X	MG RESISTOR		
	R 405	NRSA63J-332X	MG RESISTOR		
	R 423	NRSA63J-0R0X	MG RESISTOR		
	R 424	NRSA63J-0R0X	MG RESISTOR		
	R 446	NRSA63J-103X	MG RESISTOR		
	R 447	NRSA63J-103X	MG RESISTOR		
	R 451	NRSA63J-273X	MG RESISTOR		
	R 452	NRSA63J-273X	MG RESISTOR		
	R 472	NRSA02J-821X	MG RESISTOR		
	R 474	NRSA63J-222X	MG RESISTOR		
	R 476	NRSA02J-101X	MG RESISTOR		
	R 501	NRSA63J-473X	MG RESISTOR		
	R 502	NRSA63J-473X	MG RESISTOR		
	R 503	NRSA63J-473X	MG RESISTOR		
	R 504	NRSA63J-473X	MG RESISTOR		
	R 505	NRSA63J-104X	MG RESISTOR		
	R 506	NRSA63J-104X	MG RESISTOR		
	R 507	NRSA02J-220X	MG RESISTOR		
	R 508	NRSA02J-220X	MG RESISTOR		

△	Item	Parts number	Parts name	Remarks	Area
	R 509	NRSA63J-333X	MG RESISTOR		
	R 510	NRSA63J-473X	MG RESISTOR		
	R 511	NRSA63J-222X	MG RESISTOR		
	R 512	NRSA63J-153X	MG RESISTOR		
	R 513	NRSA63J-682X	MG RESISTOR		
	R 514	NRSA63J-473X	MG RESISTOR		
	R 521	NRSA63J-472X	MG RESISTOR		
	R 522	NRSA63J-472X	MG RESISTOR		
	R 523	NRSA63J-472X	MG RESISTOR		
	R 524	NRSA63J-472X	MG RESISTOR		
	R 525	NRSA63J-103X	MG RESISTOR		
	R 531	NRSA63J-103X	MG RESISTOR		
	R 532	NRSA63J-473X	MG RESISTOR		
	R 533	NRSA63J-683X	MG RESISTOR		
	R 534	NRSA63J-474X	MG RESISTOR		
	R 536	NRSA63J-333X	MG RESISTOR		
	R 537	NRSA63J-103X	MG RESISTOR		
	R 541	NRSA63J-152X	MG RESISTOR		
	R 542	NRSA63J-153X	MG RESISTOR		
	R 543	NRSA63J-332X	MG RESISTOR		
	R 544	NRSA63J-332X	MG RESISTOR		
	R 545	NRSA63J-682X	MG RESISTOR		
	R 547	NRSA63J-152X	MG RESISTOR		
	R 556	NRSA02J-331X	MG RESISTOR		
	R 571	NRS181J-101X	MG RESISTOR		
	R 581	NRSA63J-203X	MG RESISTOR		
	R 582	NRSA63J-822X	MG RESISTOR		
	R 583	NRSA63J-242X	MG RESISTOR		
	R 584	NRSA63J-562X	MG RESISTOR		
	R 585	NRSA02J-822X	MG RESISTOR		
	R 586	NRSA02J-203X	MG RESISTOR		
	R 685	NRSA63J-105X	MG RESISTOR		
	R 686	NRSA63J-105X	MG RESISTOR		
	R 701	NRSA63J-472X	MG RESISTOR		
	R 702	NRSA63J-472X	MG RESISTOR		
	R 703	NRSA63J-472X	MG RESISTOR		
	R 704	NRSA63J-473X	MG RESISTOR		
	R 706	NRSA63J-222X	MG RESISTOR		
	R 707	NRSA63J-222X	MG RESISTOR		
	R 708	NRSA63J-0R0X	MG RESISTOR		
	R 709	NRSA63J-222X	MG RESISTOR		
	R 710	NRSA63J-473X	MG RESISTOR		
	R 711	NRSA63J-473X	MG RESISTOR		
	R 712	NRSA63J-473X	MG RESISTOR		
	R 713	NRSA63J-473X	MG RESISTOR		
	R 714	NRSA63J-103X	MG RESISTOR		
	R 715	NRSA63J-103X	MG RESISTOR		
	R 716	NRSA63J-103X	MG RESISTOR		
	R 717	NRSA63J-103X	MG RESISTOR		
	R 718	NRSA63J-472X	MG RESISTOR		
	R 719	NRSA63J-103X	MG RESISTOR		
	R 720	NRSA63J-472X	MG RESISTOR		
	R 721	NRSA63J-103X	MG RESISTOR		
	R 722	NRSA63J-472X	MG RESISTOR		
	R 724	NRSA63J-473X	MG RESISTOR		
	R 725	NRSA63J-473X	MG RESISTOR		
	R 726	NRSA63J-0R0X	MG RESISTOR		
	R 727	NRSA63J-0R0X	MG RESISTOR		
	R 729	NRSA63J-473X	MG RESISTOR		
	R 731	NRSA63J-473X	MG RESISTOR		
	R 732	NRSA63J-103X	MG RESISTOR		
	R 733	NRSA63J-473X	MG RESISTOR		
	R 734	NRSA63J-104X	MG RESISTOR		
	R 735	NRSA63J-103X	MG RESISTOR		
	R 744	NRSA63J-222X	MG RESISTOR		
	R 745	NRSA63J-222X	MG RESISTOR		

■ Electrical parts list (Main board)

Block No. 01

△	Item	Parts number	Parts name	Remarks	Area
	R 746	NRSA63J-103X	MG RESISTOR		
	R 747	NRSA63J-472X	MG RESISTOR		
	R 750	NRSA63J-122X	MG RESISTOR		
	R 751	NRSA63J-103X	MG RESISTOR		
	R 752	NRSA63J-103X	MG RESISTOR		
	R 753	NRSA63J-473X	MG RESISTOR		
	R 754	NRSA63J-102X	MG RESISTOR		
	R 755	NRSA63J-122X	MG RESISTOR		
	R 756	NRSA63J-472X	MG RESISTOR		
	R 757	NRSA63J-102X	MG RESISTOR		
	R 758	NRSA63J-103X	MG RESISTOR		
	R 759	NRSA63J-473X	MG RESISTOR		
	R 760	NRSA63J-103X	MG RESISTOR		
	R 761	NRSA63J-103X	MG RESISTOR		
	R 762	NRSA63J-103X	MG RESISTOR		
	R 763	NRSA63J-103X	MG RESISTOR		
	R 764	NRSA63J-473X	MG RESISTOR		
	R 766	NRSA63J-473X	MG RESISTOR		
	R 768	NRSA63J-473X	MG RESISTOR		
	R 769	NRSA63J-101X	MG RESISTOR		
	R 772	NRSA63J-473X	MG RESISTOR		
	R 773	NRSA63J-223X	MG RESISTOR		
	R 774	NRSA63J-101X	MG RESISTOR		
	R 775	NRSA63J-103X	MG RESISTOR		
	R 776	NRSA63J-104X	MG RESISTOR		
	R 777	NRSA63J-223X	MG RESISTOR		
	R 778	NRSA63J-101X	MG RESISTOR		
	R 779	NRSA63J-473X	MG RESISTOR		
	R 781	NRSA63J-331X	MG RESISTOR		
	R 782	NRSA63J-104X	MG RESISTOR		
	R 871	NRSA63J-222X	MG RESISTOR		
	R 891	NRSA63J-473X	MG RESISTOR		
	R 892	NRSA63J-102X	MG RESISTOR		
	R 951	NRSA63J-473X	MG RESISTOR		
	R 952	NRSA63J-123X	MG RESISTOR		
	R 953	NRSA63J-184X	MG RESISTOR		
	R 954	NRSA63J-223X	MG RESISTOR		
	R 955	NRSA63J-101X	MG RESISTOR		
	R 956	NRSA63J-102X	MG RESISTOR		
	R 957	NRSA63J-563X	MG RESISTOR		
	R 961	QRZ0125-102X	C RESISTOR	1.0K 1W	
	R 962	NRSA02J-912X	MG RESISTOR		
	R 963	NRSA02J-472X	MG RESISTOR		
	R 966	NRSA63J-103X	MG RESISTOR		
	R 967	NRSA63J-273X	MG RESISTOR		
	R 968	NRS181J-222X	MG RESISTOR		
	R 969	NRS181J-222X	MG RESISTOR		
	S 701	QSW0451-001	DETECT SWITCH	DETACH	
	S 702	QSW0451-001	DETECT SWITCH	OPEN	
	S 703	QSW0534-001	TACT SW	RESET	
	TU 1	QAU0223-001	TUNER		
	X 521	QAX0662-001Z	C RESONATOR		
	X 701	QAX0406-001Z	CRYSTAL		

■ Electrical parts list (Front board)

Block No. 02

△	Item	Parts number	Parts name	Remarks	Area
	C 601	NBE20JM-475X	TS E CAPACITOR		
	C 602	NCB31HK-103X	C CAPACITOR		
	C 603	NCS31HJ-221X	C CAPACITOR		
	C 604	NCB31AK-224X	C CAPACITOR		
	C 605	NCB31AK-224X	C CAPACITOR		
	C 606	NBE20JM-475X	TS E CAPACITOR		
	CN601	QNZ0006-001	CAR CONNECTOR		
	D 601	SML-310LT/MN/-X	LED		
	D 602	SML-310VT/JK/-X	LED		
	D 603	SML-310VT/JK/-X	LED		
	D 604	SML-310VT/JK/-X	LED		
	D 605	SML-310VT/JK/-X	LED		
	D 606	SML-310VT/JK/-X	LED		
	D 607	SML-310VT/JK/-X	LED		
	D 608	SML-310VT/JK/-X	LED		
	D 609	SML-310VT/JK/-X	LED		
	D 610	SML-310VT/JK/-X	LED		
	D 611	SML-310VT/JK/-X	LED		
	D 612	SML-310VT/JK/-X	LED		
	D 613	SML-310VT/JK/-X	LED		
	D 614	SML-310VT/JK/-X	LED		
	D 615	SML-310VT/JK/-X	LED		
	D 616	SML-310VT/JK/-X	LED		
	D 617	SML-310VT/JK/-X	LED		
	D 618	SML-310VT/JK/-X	LED		
	D 619	SML-310VT/JK/-X	LED		
	D 620	SML-310VT/JK/-X	LED		
	D 621	LNJ308G81/1-3/X	LED		
	D 622	SML-310VT/JK/-X	LED		
	D 623	SML-310VT/JK/-X	LED		
	D 628	SML-310VT/JK/-X	LED		
	D 629	SML-310VT/JK/-X	LED		
	D 641	NSPW310BS/BRS/	LED		
	D 642	NSPW310BS/BRS/	LED		
	D 643	NSPW310BS/BRS/	LED		
	D 651	UDZS5.1B-X	Z DIODE		
	D 652	1SS355-X	DIODE		
	D 653	1SS355-X	DIODE		
	D 654	1SS355-X	DIODE		
	D 655	1SS355-X	DIODE		
	D 656	1SS355-X	DIODE		
	D 657	UDZS5.6B-X	Z DIODE		
	D 658	1SS355-X	DIODE		
	D 659	1SS355-X	DIODE		
	EN601	QSW0793-001	ROTARY ENCODER		
	IC601	LC75873NW	IC		
	IC602	RPM6938-SV4	IC		
	R 601	NRSA63J-821X	MG RESISTOR		
	R 602	NRSA63J-821X	MG RESISTOR		
	R 603	NRSA63J-122X	MG RESISTOR		
	R 604	NRSA63J-182X	MG RESISTOR		
	R 605	NRSA63J-272X	MG RESISTOR		
	R 606	NRSA63J-821X	MG RESISTOR		
	R 607	NRSA63J-821X	MG RESISTOR		
	R 608	NRSA63J-122X	MG RESISTOR		
	R 609	NRSA63J-182X	MG RESISTOR		
	R 611	NRSA63J-272X	MG RESISTOR		
	R 612	NRSA63J-821X	MG RESISTOR		
	R 613	NRSA63J-821X	MG RESISTOR		
	R 614	NRSA63J-122X	MG RESISTOR		
	R 615	NRSA63J-182X	MG RESISTOR		
	R 616	NRSA63J-272X	MG RESISTOR		
	R 617	NRSA63J-392X	MG RESISTOR		
	R 620	NRS181J-821X	MG RESISTOR		
	R 621	NRS181J-471X	MG RESISTOR		
	R 622	NRS181J-271X	MG RESISTOR		

△	Item	Parts number	Parts name	Remarks	Area
	R 623	NRS181J-271X	MG RESISTOR		
	R 624	NRS181J-391X	MG RESISTOR		
	R 625	NRS181J-471X	MG RESISTOR		
	R 626	NRS181J-391X	MG RESISTOR		
	R 627	NRS181J-331X	MG RESISTOR		
	R 628	NRS181J-561X	MG RESISTOR		
	R 629	NRS181J-391X	MG RESISTOR		
	R 630	NRS181J-471X	MG RESISTOR		
	R 641	NRS181J-431X	MG RESISTOR		
	R 642	NRS181J-431X	MG RESISTOR		
	R 643	NRS181J-431X	MG RESISTOR		
	R 644	NRS181J-0R0X	MG RESISTOR		
	R 650	NRSA02J-101X	MG RESISTOR		
	R 651	NRSA63J-473X	MG RESISTOR		
	R 652	NRSA63J-473X	MG RESISTOR		
	R 653	NRS181J-102X	MG RESISTOR		
	R 654	NRSA02J-221X	MG RESISTOR		
	R 655	NRSA02J-394X	MG RESISTOR		
	R 656	NRSA63J-334X	MG RESISTOR		
	R 657	NRSA63J-103X	MG RESISTOR		
	R 658	NRSA63J-471X	MG RESISTOR		
	R 661	NRSA63J-332X	MG RESISTOR		
	R 662	NRSA63J-332X	MG RESISTOR		
	R 663	NRSA63J-332X	MG RESISTOR		
	R 669	NRSA63J-103X	MG RESISTOR		
	R 670	NRSA63J-103X	MG RESISTOR		
	R 671	NRSA63J-103X	MG RESISTOR		
	S 601	NSW0066-001X	TACT SW		
	S 602	NSW0066-001X	TACT SW		
	S 603	NSW0066-001X	TACT SW		
	S 604	NSW0066-001X	TACT SW		
	S 605	NSW0066-001X	TACT SW		
	S 606	NSW0066-001X	TACT SW		
	S 607	NSW0066-001X	TACT SW		
	S 608	NSW0066-001X	TACT SW		
	S 609	NSW0066-001X	TACT SW		
	S 610	NSW0066-001X	TACT SW		
	S 611	NSW0066-001X	TACT SW		
	S 613	NSW0066-001X	TACT SW		
	S 614	NSW0066-001X	TACT SW		
	S 615	NSW0066-001X	TACT SW		
	S 616	NSW0066-001X	TACT SW		
	S 617	NSW0066-001X	TACT SW		
	S 618	NSW0066-001X	TACT SW		
	S 619	NSW0066-001X	TACT SW		
	S 620	NSW0066-001X	TACT SW		

< MEMO >

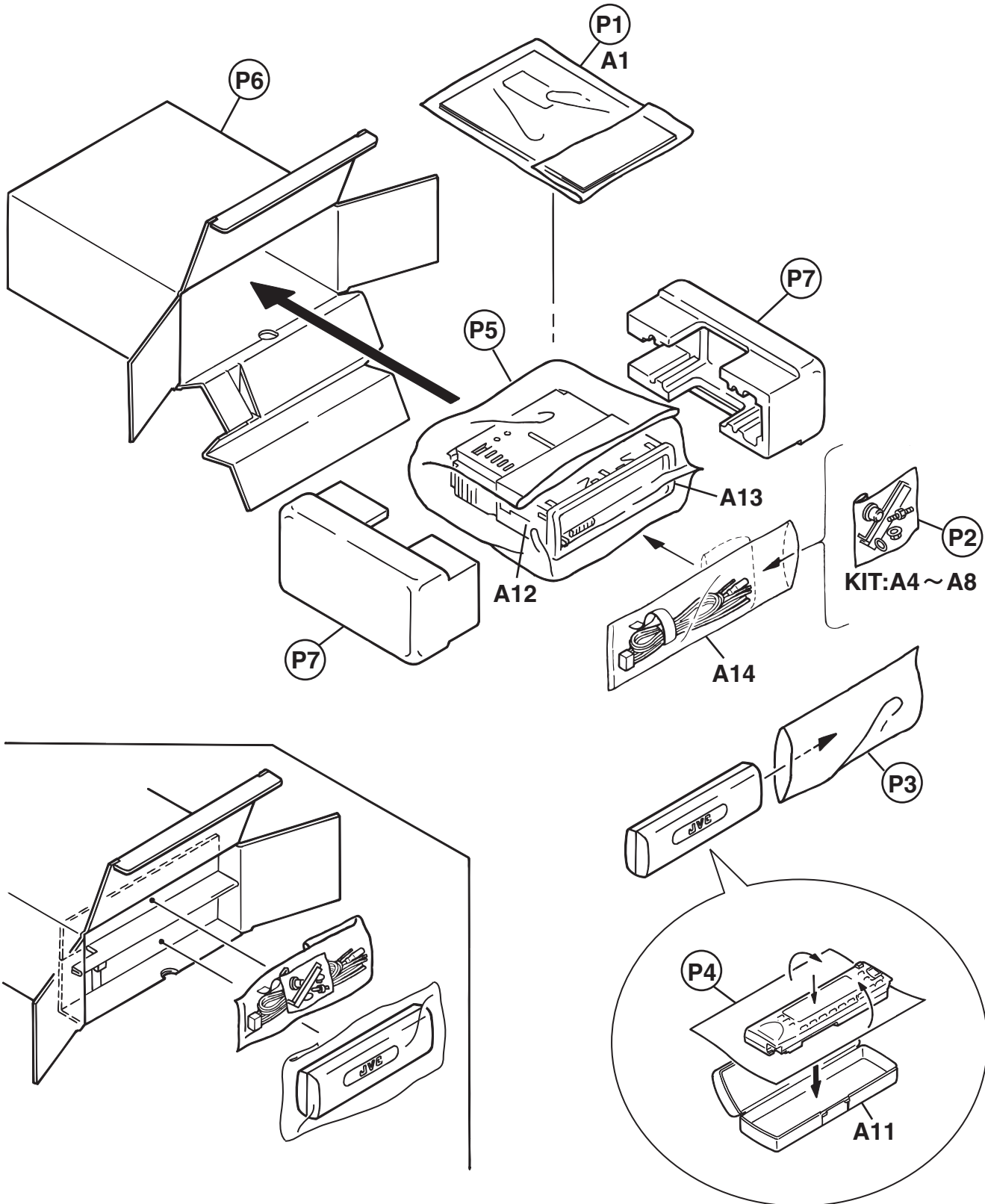
Packing materials and accessories parts list

Block No.

M	3	M	M
---	---	---	---

Block No.

M	5	M	M
---	---	---	---



■ Parts list (Packing)

Block No. M3MM

△	Item	Parts number	Parts name	Q'ty	Description	Area
	P 1	FSPG4002-001	POLY BAG	1	INST.BOOK	
	P 2	QPA00801205	POLY BAG	1	SCREW KIT	
	P 3	-----	POLY BAG	1	HARD CASE	
	P 4	-----	SHEET	1		
	P 5	QPC03004315P	POLY BAG	1	SET	
	P 6	-----	CARTON BOX	1		
	P 7	-----	CUSHION	2		

■ Parts list (Accessories)

Block No. M5MM

△	Item	Parts number	Parts name	Q'ty	Description	Area
	A 1	-----	INST.BOOK	1		
	A 4	VKZ4027-202	PLUG NUT	1		
	A 5	VKH4871-001SS	MOUNT BOLT	1		
	A 6	VKZ4328-001	LOCK NUT	1		
	A 7	WNS5000Z	WASHER	1		
	A 8	FSKL4010-002	HOOK	2		
	A 11	FSJB3001-30A	HARD CASE	1		
	A 12	FSKM2004-202SSF	MOUNTING SLEEVE	1		
	A 13	FSJD2034-001SSF	TRIM PLATE	1		
	A 14	QAM0307-001	CAR BATT CORD	1		
	K I T	KDGS717K-SCREW1	SCREW PARTS KIT	1	A4-A8	